



Heating  
Technical Data

ERGA04-08DV3





# TABLE OF CONTENTS

## ERGA04-08DV3

1	Features .....	2
2	Specifications .....	3
	Capacity and Power input .....	3
	Capacity and Power input .....	5
	Capacity and Power input .....	8
	Capacity and Power input .....	11
	Capacity and Power input .....	14
	Capacity and Power input .....	17
	Capacity and Power input .....	20
	Capacity and Power input .....	23
	Capacity and Power input .....	26
	Capacity and Power input .....	29
	Capacity and Power input .....	32
	Capacity and Power input .....	35
	Capacity and Power input .....	38
	Capacity and Power input .....	41
	Capacity and Power input .....	44
	Capacity and Power input .....	47
	Capacity and Power input .....	50
	Capacity and Power input .....	53
	Capacity and Power input .....	56
	Capacity and Power input .....	59
	Technical Specifications .....	62
	Electrical Specifications .....	62
3	Options .....	63
4	Capacity tables .....	64
	Certification Programs .....	64
	Cooling Capacity Tables .....	65
	Heating Capacity Tables .....	66
5	Dimensional drawings .....	67
6	Centre of gravity .....	68
7	Piping diagrams .....	69
8	Wiring diagrams .....	70
	Wiring Diagrams - Single Phase .....	70
9	Sound data .....	71
	Sound Pressure Spectrum - Heating .....	71
10	Operation range .....	72

# 1 Features

- Outdoor unit extracts heat from the outdoor air, even at -25°C

1



Guaranteed  
operation down  
to -25°C

## 2 Specifications

CONNECTABLE INDOOR UNITS				EHBH04D6V/ERGA04DV	EHBH08D6V/ERGA06DV	EHBH08D6V/ERGA08DV	
<b>2-1 Capacity and Power input</b>							
Space heating	Average climate water outlet 55°C	General	SCOP		3.26		3.32
			Annual energy consumption	kWh	3,806	4,441	4,975
			ηs (Seasonal space heating efficiency)	%	127		130
			Prated at -10°C	kW	6.0	7.0	8.0
			Seasonal space heating eff. class				A++
		A Condition (-7°CDB/-8°CWB)	Cdh (Degradation heating)				1.0
			COPd		1.97	1.98	1.96
			Pdh	kW	5.3	5.9	6.9
			PERd	%	79		78
		B Condition (2°CDB/1°CWB)	Cdh (Degradation heating)				1.0
			COPd		3.23	3.16	3.20
			Pdh	kW	3.3	3.9	4.4
			PERd	%	129	126	128
		C Condition (7°CDB/6°CWB)	Cdh (Degradation heating)				1.0
			COPd		4.40	4.49	4.64
			Pdh	kW	3.0		3.3
	PERd		%	176	180	186	
	D Condition (12°CDB/11°CWB)	Cdh (Degradation heating)				1.0	
		COPd		6.10		6.22	
		Pdh	kW	3.3		4.1	
		PERd	%	244		249	
	Tol (temperature operating limit)	COPd		1.37	1.53	1.64	
		Pdh	kW	4.0	5.4	7.1	
		PERd	%	55	61	66	
		TOL	°C			-10	
		WTOL	°C			55	
	Rated heat output supplementary capacity	Psup (at Tdesign - 10°C)		kW	2.0	1.6	1.0
		Tbiv (bivalent temperature)	COPd		1.97	2.12	1.90
	Pdh		kW	5.3	6.1	7.5	
	PERd		%	79	85	76	
	Tbiv		°C	-7	-6	-8	
	Cold climate water outlet 55°C	General	Annual energy consumption	kWh	4,468	5,300	6,886
ηs (Seasonal space heating efficiency)			%	107	109	112	
Prated at -22°C			kW	5.0	6.0	8.0	
Warm climate water outlet 55°C	General	Annual energy consumption	kWh	1,660	1,858	2,213	
		ηs (Seasonal space heating efficiency)	%	148	158	161	
		Prated at 2°C	kW	4.7	5.6	6.8	

## 2 Specifications

CONNECTABLE INDOOR UNITS				EHBH04D6V/ERGA04DV	EHBH08D6V/ERGA06DV	EHBH08D6V/ERGA08DV	
Space heating	Average climate water outlet 35°C	General	SCOP		4.48	4.47	4.56
			Annual energy consumption	kWh	2,766	3,233	3,625
			ηs (Seasonal space heating efficiency)	%	176		179
			Prated at -10°C	kW	6.0	7.0	8.0
			Seasonal space heating eff. class		A++ (3) / A+++ (4)		
		A Condition (-7°CDB/8°CWB)	COPd		2.90	2.86	2.77
			Pdh	kW	5.5	6.0	7.0
			PERd	%	116	114	111
		B Condition (2°CDB/1°CWB)	Cdh (Degradation heating)		1.0		
			COPd		4.33	4.25	4.35
			Pdh	kW	3.3	3.9	4.2
			PERd	%	173	170	174
		C Condition (7°CDB/6°CWB)	Cdh (Degradation heating)		1.0		
			COPd		6.19	6.30	6.49
			Pdh	kW	3.2		3.3
			PERd	%	248	252	260
		D Condition (12°CDB/11°CWB)	Cdh (Degradation heating)		1.0		
			COPd		7.78		8.52
			Pdh	kW	3.3		3.9
			PERd	%	311		341
	Tol (temperature operating limit)	COPd		2.56	2.49	2.41	
		Pdh	kW	5.2	6.0	6.9	
		PERd	%	102	100	96	
		TOL	°C	-10			
		WTOL	°C	35			
	Tbiv (bivalent temperature)	COPd		2.90	2.49	2.66	
		Pdh	kW	5.5	6.0	7.5	
		PERd	%	116	100	106	
		Tbiv	°C	-7	-6	-8	
	Rated heat output supplementary capacity	Psup (at Tdesign - 10°C)		0.8	1.0	1.1	
	Cold climate water outlet 35°C	General	Annual energy consumption	kWh	3,230	3,749	5,034
ηs (Seasonal space heating efficiency)			%	150	155	154	
Prated at -22°C			kW	5.0	6.0	8.0	
Qhe Annual energy consumption (GCV)			Gj	-			
Warm climate water outlet 35°C	General	Annual energy consumption	kWh	1,139	1,276	1,437	
		ηs (Seasonal space heating efficiency)	%	241	248	257	
		Prated at 2°C	kW	5.2	6.0	7.0	
Space heating general	Air to water unit	Rated airflow (outdoor)		m³/h	2,280.0	2,520.0	2,770.0
	Brine/water to water unit	Rated water/brine flow		m³/h	0.0		
	Other	Capacity control			Inverter		
		Pck (Crankcase heater mode)		kW	0.000		
		Poff (Off mode)		kW	0.010		
		Psb (Standby mode)		kW	0.010		
	Pto (Thermostat off)		kW	0.010			
Integrated supplement any heater	Psup		kW	6.0			

## 2 Specifications

CONNECTABLE INDOOR UNITS				EHBH04D6V/ERGA04DV	EHBH08D6V/ERGA06DV	EHBH08D6V/ERGA08DV	
Domestic hot water heating	Average climate	η <sub>wh</sub> (water heating efficiency)		%	-		
	Cold climate	η <sub>wh</sub> (water heating efficiency)		%	-		
	Warm climate	η <sub>wh</sub> (water heating efficiency)		%	-		
Heating capacity	Nom.			kW	4.30 (1) / 4.20 (2)	6.00 (1) / 5.90 (2)	7.50 (1) / 7.50 (2)
Power input	Heating	Nom.		kW	0.850 (1) / 1.16 (2)	1.24 (1) / 1.69 (2)	1.63 (1) / 2.14 (2)
COP					5.10 (1) / 3.62 (2)	4.85 (1) / 3.50 (2)	4.60 (1) / 3.50 (2)
Pump	Nominal ESP unit	Heating		kPa	59.6 (1) / 59.9 (2)	52.4 (1) / 52.9 (2)	43.3 (1) / 43.3 (2)
Water side Heat exchanger	Water flow rate	Heating	Nom.	l/min	12.3 (1) / 12.0 (2)	17.2 (1) / 16.9 (2)	21.5 (1) / 21.5 (2)
General	Supplier/Manufacturer details	Name and address		Daikin Europe N.V. - Zandvoordestraat 300, 8400 Oostende, Belgium			
		Name or trademark		Daikin Europe N.V.			
	Product description	Air-to-water heat pump		Yes			
		Brine-to-water heat pump		No			
		Heat pump combination heater		No			
		Low-temperature heat pump		No			
		Supplementary heater integrated		Yes			
Water-to-water heat pump		No					
LW(A) Sound power level (according to EN14825)	Indoor		dB(A)	42			
LW(A) Sound power level (according to EN14825)	Outdoor		dB(A)	58	60	62	
Sound condition Ecodesign and energy label				Sound power in heating mode, measured according to the EN12102 under conditions of the EN14825			

### Notes

- (1) Condition 1: cooling Ta 35°C - LWE 18°C (DT = 5°C); heating Ta DB/WB 7°C/6°C - LWC 35°C (DT = 5°C)
- (2) Condition 2: cooling Ta 35°C - LWE 7°C (DT = 5°C); heating Ta DB/WB 7°C/6°C - LWC 45°C (DT = 5°C)
- (3) According to EU811/2013 - lay out 2015
- (4) According to EU811/2013 - lay out 2019

CONNECTABLE INDOOR UNITS				EHBH08D9W/ERGA06DV	EHBH08D9W/ERGA08DV	
<b>2-2 Capacity and Power input</b>						
Space heating	Average climate water outlet 55°C	General	SCOP		3.26	3.32
			Annual energy consumption	kWh	4,441	4,975
			η <sub>s</sub> (Seasonal space heating efficiency)	%	127	130
			Prated at -10°C	kW	7.0	8.0
			Seasonal space heating eff. class		A++	
		A Condition (-7°CDB/-8°CWB)	Cdh (Degradation heating)		1.0	
			COP <sub>d</sub>		1.98	1.96
			P <sub>dh</sub>	kW	5.9	6.9
		PER <sub>d</sub>	%	79	78	

## 2 Specifications

CONNECTABLE INDOOR UNITS				EHBH08D9W/ERGA06DV		EHBH08D9W/ERGA08DV	
Space heating	Average climate water outlet 55°C	B Condition (2°CDB/ 1°CWB)	Cdh (Degradation heating)		1.0		
			COPd		3.16	3.20	
			Pdh	kW	3.9	4.4	
			PERd	%	126	128	
		C Condition (7°CDB/ 6°CWB)	Cdh (Degradation heating)		1.0		
			COPd		4.49	4.64	
			Pdh	kW	3.0	3.3	
			PERd	%	180	186	
		D Condition (12°CDB/ 11°CWB)	Cdh (Degradation heating)		1.0		
			COPd		6.10	6.22	
			Pdh	kW	3.3	4.1	
			PERd	%	244	249	
	Tol (temperature operating limit)	COPd		1.53	1.64		
		Pdh	kW	5.4	7.1		
		PERd	%	61	66		
		TOL	°C	-10			
	Rated heat output supplementary capacity	WTOL		55			
		Psup (at Tdesign - 10°C)		kW	1.6	1.0	
		Tbiv (bivalent temperature)	COPd		2.12	1.90	
			Pdh	kW	6.1	7.5	
	PERd		%	85	76		
	Tbiv		°C	-6	-8		
	Cold climate water outlet 55°C	General	Annual energy consumption		kWh	5,300	6,886
			ηs (Seasonal space heating efficiency)	%	109	112	
Prated at -22°C			kW	6.0	8.0		
Warm climate water outlet 55°C	General	Annual energy consumption		kWh	1,858	2,213	
		ηs (Seasonal space heating efficiency)	%	158	161		
		Prated at 2°C	kW	5.6	6.8		
Average climate water outlet 35°C	General	SCOP		4.47	4.56		
		Annual energy consumption		kWh	3,233	3,625	
		ηs (Seasonal space heating efficiency)	%	176	179		
		Prated at -10°C	kW	7.0	8.0		
		Seasonal space heating eff. class		A++ (3) / A+++ (4)			
	A Condition (-7°CDB/ 8°CWB)	COPd		2.86	2.77		
		Pdh	kW	6.0	7.0		
		PERd	%	114	111		
	B Condition (2°CDB/ 1°CWB)	Cdh (Degradation heating)		1.0			
		COPd		4.25	4.35		
		Pdh	kW	3.9	4.2		
		PERd	%	170	174		
	C Condition (7°CDB/ 6°CWB)	Cdh (Degradation heating)		1.0			
		COPd		6.30	6.49		
		Pdh	kW	3.2	3.3		
		PERd	%	252	260		
D Condition (12°CDB/ 11°CWB)	Cdh (Degradation heating)		1.0				
	COPd		7.78	8.52			
	Pdh	kW	3.3	3.9			
	PERd	%	311	341			



## 2 Specifications

CONNECTABLE INDOOR UNITS				EHBH08D9W/ERGA06DV		EHBH08D9W/ERGA08DV			
Space heating	Average climate water outlet 35°C	Tol (temperature operating limit)	COPd		2.49		2.41		
			Pdh	kW	6.0		6.9		
			PERd	%	100		96		
			TOL	°C	-10				
			WTOL	°C	35				
		Tbiv (bivalent temperature)	COPd		2.49		2.66		
			Pdh	kW	6.0		7.5		
			PERd	%	100		106		
	Tbiv		°C	-6		-8			
	Rated heat output supplementary capacity	Psup (at Tdesign - 10°C)		kW	1.0		1.1		
		Cold climate water outlet 35°C	General	Annual energy consumption	kWh	3,749		5,034	
				ηs (Seasonal space heating efficiency)	%	155		154	
				Prated at -22°C	kW	6.0		8.0	
Qhe Annual energy consumption (GCV)	Gj			-					
Warm climate water outlet 35°C	General	Annual energy consumption	kWh	1,276		1,437			
		ηs (Seasonal space heating efficiency)	%	248		257			
		Prated at 2°C	kW	6.0		7.0			
Space heating general	Air to water unit	Rated airflow (outdoor)		m³/h	2,520.0		2,770.0		
	Brine/water to water unit	Rated water/brine flow		m³/h	0.0				
	Other	Capacity control			Inverter				
		Pck (Crankcase heater mode)		kW	0.000				
		Poff (Off mode)		kW	0.010				
		Psb (Standby mode)		kW	0.010				
		Pto (Thermostat off)		kW	0.010				
Integrated supplementary heater	Psup		kW	9.0					
Domestic hot water heating	Average climate	ηwh (water heating efficiency)		%	-				
	Cold climate	ηwh (water heating efficiency)		%	-				
	Warm climate	ηwh (water heating efficiency)		%	-				
Heating capacity	Nom.		kW	6.00 (1) / 5.90 (2)		7.50 (1) / 7.50 (2)			
Power input	Heating	Nom.		kW	1.24 (1) / 1.69 (2)		1.63 (1) / 2.14 (2)		
COP				4.85 (1) / 3.50 (2)		4.60 (1) / 3.50 (2)			
Pump	Nominal ESP unit	Heating		kPa	52.4 (1) / 52.9 (2)		43.3 (1) / 43.3 (2)		
Water side Heat exchanger	Water flow rate	Heating	Nom.	l/min	17.2 (1) / 16.9 (2)		21.5 (1) / 21.5 (2)		

## 2 Specifications

2

CONNECTABLE INDOOR UNITS			EHBH08D9W/ERGA06DV	EHBH08D9W/ERGA08DV	
General	Supplier/ Manufacturer details	Name and address	Daikin Europe N.V. - Zandvoordestraat 300, 8400 Oostende, Belgium		
		Name or trademark	Daikin Europe N.V.		
	Product description	Air-to-water heat pump		Yes	
		Brine-to-water heat pump		No	
		Heat pump combination heater		No	
		Low-temperature heat pump		No	
		Supplementary heater integrated		Yes	
Water-to-water heat pump		No			
LW(A) Sound power level (according to EN14825)	Indoor	dB(A)	42		
LW(A) Sound power level (according to EN14825)	Outdoor	dB(A)	60	62	
Sound condition Ecodesign and energy label			Sound power in heating mode, measured according to the EN12102 under conditions of the EN14825		

### Notes

(1) Condition 1: cooling Ta 35°C - LWE 18°C (DT = 5°C); heating Ta DB/WB 7°C/6°C - LWC 35°C (DT = 5°C)

(2) Condition 2: cooling Ta 35°C - LWE 7°C (DT = 5°C); heating Ta DB/WB 7°C/6°C - LWC 45°C (DT = 5°C)

(3) According to EU811/2013 - lay out 2015

(4) According to EU811/2013 - lay out 2019

CONNECTABLE INDOOR UNITS				EHBX04D6V/ERGA04DV	EHBX08D6V/ERGA06DV	EHBX08D6V/ERGA08DV	
<b>2-3 Capacity and Power input</b>							
Space heating	Average climate water outlet 55°C	General	SCOP	-	3.26	3.32	
			Annual energy consumption	kWh	3,806	4,441	4,975
			ηs (Seasonal space heating efficiency)	%	127		130
			Prated at -10°C	kW	6.0	7.0	8.0
			Seasonal space heating eff. class		A++		
		A Condition (-7°CDB/ 8°CWB)	Cdh (Degradation heating)		1.0		
			COPd		1.97	1.98	1.96
			Pdh	kW	5.3	5.9	6.9
			PERd		79		78
		B Condition (2°CDB/ 1°CWB)	Cdh (Degradation heating)		1.0		
			COPd		3.23	3.16	3.20
			Pdh	kW	3.3	3.9	4.4
			PERd		129	126	128
		C Condition (7°CDB/ 6°CWB)	Cdh (Degradation heating)		1.0		
			COPd		4.40	4.49	4.64
			Pdh	kW	3.0		3.3
			PERd		176	180	186
		D Condition (12°CDB/ 11°CWB)	Cdh (Degradation heating)		1.0		
			COPd		6.10		6.22
			Pdh	kW	3.3		4.1
PERd			244		249		

## 2 Specifications

CONNECTABLE INDOOR UNITS				EHBX04D6V/ERGA04DV	EHBX08D6V/ERGA06DV	EHBX08D6V/ERGA08DV	
Space heating	Average climate water outlet 55°C	Tol (temperature operating limit)	COPd		1.37	1.53	1.64
			Pdh	kW	4.0	5.4	7.1
			PERd	%	55	61	66
			TOL	°C	-10		
			WTOL	°C	55		
		Rated heat output supplementary capacity	Psup (at Tdesign - 10°C)	kW	2.0	1.6	1.0
		Tbiv (bivalent temperature)	COPd		1.97	2.12	1.90
			Pdh	kW	5.3	6.1	7.5
			PERd	%	79	85	76
			Tbiv	°C	-7	-6	-8
	Cold climate water outlet 55°C	General	Annual energy consumption	kWh	4,468	5,300	6,886
			ηs (Seasonal space heating efficiency)	%	107	109	112
			Prated at -22°C	kW	5.0	6.0	8.0
	Warm climate water outlet 55°C	General	Annual energy consumption	kWh	1,660	1,858	2,213
			ηs (Seasonal space heating efficiency)	%	148	158	161
			Prated at 2°C	kW	4.7	5.6	6.8
	Average climate water outlet 35°C	General	SCOP		4.48	4.47	4.56
			Annual energy consumption	kWh	2,766	3,233	3,625
			ηs (Seasonal space heating efficiency)	%	176		
			Prated at -10°C	kW	6.0	7.0	8.0
			Seasonal space heating eff. class		A++ (3) / A+++ (4)		
		A Condition (-7°CDB/-8°CWB)	COPd		2.90	2.86	2.77
			Pdh	kW	5.5	6.0	7.0
			PERd	%	116	114	111
		B Condition (2°CDB/1°CWB)	Cdh (Degradation heating)		1.0		
			COPd		4.33	4.25	4.35
			Pdh	kW	3.3	3.9	4.2
PERd		%	173	170	174		
		C Condition (7°CDB/6°CWB)	Cdh (Degradation heating)		1.0		
			COPd		6.19	6.30	6.49
Pdh			kW	3.2		3.3	
PERd		%	248	252	260		
D Condition (12°CDB/11°CWB)		Cdh (Degradation heating)		1.0			
		COPd		7.78		8.52	
		Pdh	kW	3.3		3.9	
		PERd	%	311		341	
Tol (temperature operating limit)	COPd		2.56	2.49	2.41		
	Pdh	kW	5.2	6.0	6.9		
	PERd	%	102	100	96		
	TOL	°C	-10				
	WTOL	°C	35				
Tbiv (bivalent temperature)	COPd		2.90	2.49	2.66		
	Pdh	kW	5.5	6.0	7.5		
	PERd	%	116	100	106		
	Tbiv	°C	-7	-6	-8		
Rated heat output supplementary capacity	Psup (at Tdesign - 10°C)	kW	0.8	1.0	1.1		

## 2 Specifications

CONNECTABLE INDOOR UNITS				EHBX04D6V/ERGA04DV	EHBX08D6V/ERGA06DV	EHBX08D6V/ERGA08DV		
Space heating	Cold climate water outlet 35°C	General	Annual energy consumption	kWh	3,230	3,749	5,034	
			$\eta_s$ (Seasonal space heating efficiency)	%	150	155	154	
			Prated at -22°C	kW	5.0	6.0	8.0	
			Qhe Annual energy consumption (GCV)	Gj	-			
	Warm climate water outlet 35°C	General	Annual energy consumption	kWh	1,139	1,276	1,437	
			$\eta_s$ (Seasonal space heating efficiency)	%	241	248	257	
Prated at 2°C			kW	5.2	6.0	7.0		
Space heating general	Air to water unit	Rated airflow (outdoor)		m³/h	2,280.0	2,520.0	2,770.0	
	Brine/water to water unit	Rated water/brine flow		m³/h	0.0			
	Other	Capacity control			Inverter			
		Pck (Crankcase heater mode)		kW	0.000			
		Poff (Off mode)		kW	0.010			
		Psb (Standby mode)		kW	0.010			
		Pto (Thermostat off)		kW	0.010			
Integrated supplementary heater	Psup		kW	6.0				
Domestic hot water heating	Average climate	$\eta_{wh}$ (water heating efficiency)		%	-			
	Cold climate	$\eta_{wh}$ (water heating efficiency)		%	-			
	Warm climate	$\eta_{wh}$ (water heating efficiency)		%	-			
Heating capacity	Nom.		kW	4.30 (1) / 4.20 (2)	6.00 (1) / 5.90 (2)	7.50 (1) / 7.50 (2)		
Cooling capacity	Nom.		kW	5.56 (1) / 4.37 (2)	5.96 (1) / 4.87 (2)	6.25 (1) / 5.35 (2)		
Power input	Heating	Nom.		kW	0.85 (1) / 1.16 (2)	1.24 (1) / 1.69 (2)	1.63 (1) / 2.14 (2)	
	Cooling	Nom.		kW	0.94 (1) / 1.14 (2)	1.06 (1) / 1.33 (2)	1.16 (1) / 1.51 (2)	
COP					5.10 (1) / 3.62 (2)	4.85 (1) / 3.50 (2)	4.60 (1) / 3.50 (2)	
EER					5.94 (1) / 3.84 (2)	5.61 (1) / 3.67 (2)	5.40 (1) / 3.54 (2)	
Pump	Nominal ESP unit	Cooling		kPa	54.6 (1) / 59.4 (2)	52.6 (1) / 57.5 (2)	51.1 (1) / 55.5 (2)	
		Heating		kPa	59.6 (1) / 59.9 (2)	52.4 (1) / 52.9 (2)	43.3 (1) / 43.3 (2)	
Water side Heat exchanger	Water flow rate	Cooling	Nom.	l/min	15.9 (1) / 12.5 (2)	17.1 (1) / 14.0 (2)	17.9 (1) / 15.3 (2)	
		Heating	Nom.	l/min	12.3 (1) / 12.0 (2)	17.2 (1) / 16.9 (2)	21.5 (1) / 21.5 (2)	
General	Supplier/Manufacturer details	Name and address		Daikin Europe N.V. - Zandvoordestraat 300, 8400 Oostende, Belgium				
		Name or trademark		Daikin Europe N.V.				
	Product description	Air-to-water heat pump		Yes				
		Brine-to-water heat pump		No				
		Heat pump combination heater		No				
		Low-temperature heat pump		No				
		Supplementary heater integrated		Yes				
Water-to-water heat pump		No						
LW(A) Sound power level (according to EN14825)	Indoor		dB(A)	42				
LW(A) Sound power level (according to EN14825)	Outdoor		dB(A)	58	60	62		
Sound condition Ecodesign and energy label				Sound power in heating mode, measured according to the EN12102 under conditions of the EN14825				

## 2 Specifications

### Notes

- (1) Condition 1: cooling Ta 35°C - LWE 18°C (DT = 5°C); heating Ta DB/WB 7°C/6°C - LWC 35°C (DT = 5°C)
- (2) Condition 2: cooling Ta 35°C - LWE 7°C (DT = 5°C); heating Ta DB/WB 7°C/6°C - LWC 45°C (DT = 5°C)
- (3) According to EU811/2013 - lay out 2015
- (4) According to EU811/2013 - lay out 2019

CONNECTABLE INDOOR UNITS				EHBH08D9W/ERGA06DV		EHBX08D9W/ERGA08DV			
2-4 Capacity and Power input									
Space heating	Average climate water outlet 55°C	General	SCOP		3.26		3.32		
			Annual energy consumption	kWh	4,441		4,975		
			ηs (Seasonal space heating efficiency)	%	127		130		
			Prated at -10°C	kW	7.0		8.0		
			Seasonal space heating eff. class		A++				
		A Condition (-7°CDB/-8°CWB)	Cdh (Degradation heating)		1.0				
			COPd		1.98		1.96		
			Pdh	kW	5.9		6.9		
			PERd	%	79		78		
		B Condition (2°CDB/1°CWB)	Cdh (Degradation heating)		1.0				
			COPd		3.16		3.20		
			Pdh	kW	3.9		4.4		
			PERd	%	126		128		
		C Condition (7°CDB/6°CWB)	Cdh (Degradation heating)		1.0				
			COPd		4.49		4.64		
			Pdh	kW	3.0		3.3		
			PERd	%	180		186		
		D Condition (12°CDB/11°CWB)	Cdh (Degradation heating)		1.0				
			COPd		6.10		6.22		
			Pdh	kW	3.3		4.1		
	PERd		%	244		249			
	Tol (temperature operating limit)	COPd		1.53		1.64			
		Pdh	kW	5.4		7.1			
		PERd	%	61		66			
		TOL	°C	-10					
		WTOL	°C	55					
	Rated heat output supplementary capacity	Psup (at Tdesign - 10°C)		kW		1.6		1.0	
		Tbiv (bivalent temperature)	COPd		2.12		1.90		
			Pdh	kW	6.1		7.5		
			PERd	%	85		76		
		Tbiv	°C	-6		-8			
	Cold climate water outlet 55°C	General	Annual energy consumption	kWh	5,300		6,886		
ηs (Seasonal space heating efficiency)			%	109		112			
Prated at -22°C			kW	6.0		8.0			
Warm climate water outlet 55°C	General	Annual energy consumption	kWh	1,858		2,213			
		ηs (Seasonal space heating efficiency)	%	158		161			
		Prated at 2°C	kW	5.6		6.8			

## 2 Specifications

CONNECTABLE INDOOR UNITS				EHBH08D9W/ERGA06DV		EHBX08D9W/ERGA08DV		
Space heating	Average climate water outlet 35°C	General	SCOP		4.47		4.56	
			Annual energy consumption	kWh	3,233		3,625	
			$\eta_s$ (Seasonal space heating efficiency)	%	176		179	
			Prated at -10°C	kW	7.0		8.0	
			Seasonal space heating eff. class		A++ (3) / A+++ (4)			
		A Condition (-7°CDB/8°CWB)	COPd		2.86		2.77	
			Pdh	kW	6.0		7.0	
			PERd	%	114		111	
		B Condition (2°CDB/1°CWB)	Cdh (Degradation heating)		1.0			
			COPd		4.25		4.35	
			Pdh	kW	3.9		4.2	
			PERd	%	170		174	
		C Condition (7°CDB/6°CWB)	Cdh (Degradation heating)		1.0			
			COPd		6.30		6.49	
			Pdh	kW	3.2		3.3	
			PERd	%	252		260	
		D Condition (12°CDB/11°CWB)	Cdh (Degradation heating)		1.0			
			COPd		7.78		8.52	
	Pdh		kW	3.3		3.9		
	PERd		%	311		341		
	Tol (temperature operating limit)	COPd		2.49		2.41		
		Pdh	kW	6.0		6.9		
		PERd	%	100		96		
		TOL	°C	-10				
		WTOL	°C	35				
	Tbiv (bivalent temperature)	COPd		2.49		2.66		
		Pdh	kW	6.0		7.5		
		PERd	%	100		106		
Tbiv		°C	-6		-8			
Rated heat output supplementary capacity	Psup (at Tdesign - 10°C)	kW	1.0		1.1			
Cold climate water outlet 35°C	General	Annual energy consumption	kWh	3,749		5,034		
		$\eta_s$ (Seasonal space heating efficiency)	%	155		154		
		Prated at -22°C	kW	6.0		8.0		
		Qhe Annual energy consumption (GCV)	Gj	-				
Warm climate water outlet 35°C	General	Annual energy consumption	kWh	1,276		1,437		
		$\eta_s$ (Seasonal space heating efficiency)	%	248		257		
		Prated at 2°C	kW	6.0		7.0		
Space heating general	Air to water unit	Rated airflow (outdoor)		m³/h	2,520.0		2,770.0	
	Brine/water to water unit	Rated water/brine flow		m³/h	0.0			
	Other	Capacity control			Inverter			
		Pck (Crankcase heater mode)			kW	0.000		
		Poff (Off mode)			kW	0.010		
		Psb (Standby mode)			kW	0.010		
	Integrated supplementary heater	Pto (Thermostat off)		kW	0.010			
		Psup		kW	9.0			

## 2 Specifications

CONNECTABLE INDOOR UNITS				EHBH08D9W/ERGA06DV		EHBX08D9W/ERGA08DV	
Domestic hot water heating	Average climate	η <sub>wh</sub> (water heating efficiency)		%	-		
	Cold climate	η <sub>wh</sub> (water heating efficiency)		%	-		
	Warm climate	η <sub>wh</sub> (water heating efficiency)		%	-		
Heating capacity	Nom.			kW	6.00 (1) / 5.90 (2)		7.50 (1) / 7.50 (2)
Cooling capacity	Nom.			kW	5.96 (1) / 4.87 (2)		6.25 (1) / 5.35 (2)
Power input	Heating	Nom.		kW	1.24 (1) / 1.69 (2)		1.63 (1) / 2.14 (2)
	Cooling	Nom.		kW	1.06 (1) / 1.33 (2)		1.16 (1) / 1.51 (2)
COP					4.85 (1) / 3.50 (2)		4.60 (1) / 3.50 (2)
EER					5.61 (1) / 3.67 (2)		5.40 (1) / 3.54 (2)
Pump	Nominal ESP unit	Cooling		kPa	52.6 (1) / 57.5 (2)		51.1 (1) / 55.5 (2)
		Heating		kPa	52.4 (1) / 52.9 (2)		43.3 (1) / 43.3 (2)
Water side Heat exchanger	Water flow rate	Cooling	Nom.	l/min	17.1 (1) / 14.0 (2)		17.9 (1) / 15.3 (2)
		Heating	Nom.	l/min	17.2 (1) / 16.9 (2)		21.5 (1) / 21.5 (2)
General	Supplier/ Manufacturer details	Name and address		Daikin Europe N.V. - Zandvoordestraat 300, 8400 Oostende, Belgium			
		Name or trademark		Daikin Europe N.V.			
	Product description	Air-to-water heat pump		Yes			
		Brine-to-water heat pump		No			
		Heat pump combination heater		No			
		Low-temperature heat pump		No			
		Supplementary heater integrated		Yes			
Water-to-water heat pump		No					
LW(A) Sound power level (according to EN14825)	Indoor			dB(A)	42		
LW(A) Sound power level (according to EN14825)	Outdoor			dB(A)	60		62
Sound condition Ecodesign and energy label				Sound power in heating mode, measured according to the EN12102 under conditions of the EN14825			

### Notes

- (1) Condition 1: cooling Ta 35°C - LWE 18°C (DT = 5°C); heating Ta DB/WB 7°C/6°C - LWC 35°C (DT = 5°C)
- (2) Condition 2: cooling Ta 35°C - LWE 7°C (DT = 5°C); heating Ta DB/WB 7°C/6°C - LWC 45°C (DT = 5°C)
- (3) According to EU811/2013 - lay out 2015
- (4) According to EU811/2013 - lay out 2019

## 2 Specifications

2

CONNECTABLE INDOOR UNITS				EHVH04S23DV/ERGA04DV	EHVH08S23DV/ERGA06DV	EHVH08S23DV/ERGA08DV		
2-5 Capacity and Power input								
Space heating	Average climate water outlet 55°C	General	SCOP		3.26		3.32	
			Annual energy consumption	kWh	3,806	4,441	4,975	
			ηs (Seasonal space heating efficiency)	%	127		130	
			Prated at -10°C	kW	6.0	7.0	8.0	
			Seasonal space heating eff. class		A++			
		A Condition (-7°CDB/-8°CWB)	Cdh (Degradation heating)		1.0			
			COPd		1.97	1.98	1.96	
			Pdh	kW	5.3	5.9	6.9	
			PERd	%	79		78	
		B Condition (2°CDB/1°CWB)	Cdh (Degradation heating)		1.0			
			COPd		3.23	3.16	3.20	
			Pdh	kW	3.3	3.9	4.4	
			PERd	%	129	126	128	
		C Condition (7°CDB/6°CWB)	Cdh (Degradation heating)		1.0			
			COPd		4.40	4.49	4.64	
			Pdh	kW	3.0		3.3	
			PERd	%	176	180	186	
		D Condition (12°CDB/11°CWB)	Cdh (Degradation heating)		1.0			
			COPd		6.10		6.22	
	Pdh		kW	3.3		4.1		
	PERd		%	244		249		
	Tol (temperature operating limit)	COPd		1.37	1.53	1.64		
		Pdh	kW	4.0	5.4	7.1		
		PERd	%	55	61	66		
		TOL	°C	-10				
		WTOL	°C	55				
Rated heat output supplementary capacity	Psup (at Tdesign - 10°C)		kW	2.0	1.6	1.0		
	Tbiv (bivalent temperature)	COPd		1.97	2.12	1.90		
		Pdh	kW	5.3	6.1	7.5		
		PERd	%	79	85	76		
		Tbiv	°C	-7	-6	-8		
Cold climate water outlet 55°C	General	Annual energy consumption	kWh	4,468	5,300	6,886		
		ηs (Seasonal space heating efficiency)	%	107	109	112		
		Prated at -22°C	kW	5.0	6.0	8.0		
Warm climate water outlet 55°C	General	Annual energy consumption	kWh	1,660	1,858	2,213		
		ηs (Seasonal space heating efficiency)	%	148	158	161		
		Prated at 2°C	kW	4.7	5.6	6.8		



## 2 Specifications

CONNECTABLE INDOOR UNITS				EHVH04S23DV/ERGA04DV	EHVH08S23DV/ERGA06DV	EHVH08S23DV/ERGA08DV	
Space heating	Average climate water outlet 35°C	General	SCOP		4.48	4.47	4.56
			Annual energy consumption	kWh	2,766	3,233	3,625
			ηs (Seasonal space heating efficiency)	%	176		179
			Prated at -10°C	kW	6.0	7.0	8.0
			Seasonal space heating eff. class		A++ (3) / A+++ (4)		
		A Condition (-7°CDB/-8°CWB)	COPd		2.90	2.86	2.77
			Pdh	kW	5.5	6.0	7.0
			PERd	%	116	114	111
		B Condition (2°CDB/1°CWB)	Cdh (Degradation heating)		1.0		
			COPd		4.33	4.25	4.35
			Pdh	kW	3.3	3.9	4.2
			PERd	%	173	170	174
		C Condition (7°CDB/6°CWB)	Cdh (Degradation heating)		1.0		
			COPd		6.19	6.30	6.49
			Pdh	kW	3.2		3.3
	PERd		%	248	252	260	
	D Condition (12°CDB/11°CWB)	Cdh (Degradation heating)		1.0			
		COPd		7.78		8.52	
		Pdh	kW	3.3		3.9	
		PERd	%	311		341	
	Tol (temperature operating limit)	COPd		2.56	2.49	2.41	
		Pdh	kW	5.2	6.0	6.9	
		PERd	%	102	100	96	
		TOL	°C	-10			
		WTOL	°C	35			
	Tbiv (bivalent temperature)	COPd		2.90	2.49	2.66	
		Pdh	kW	5.5	6.0	7.5	
PERd		%	116	100	106		
Tbiv		°C	-7	-6	-8		
Rated heat output supplementary capacity	Psup (at Tdesign - 10°C)	kW	0.8	1.0	1.1		
Cold climate water outlet 35°C	General	Annual energy consumption	kWh	3,230	3,749	5,034	
		ηs (Seasonal space heating efficiency)	%	150	155	154	
		Prated at -22°C	kW	5.0	6.0	8.0	
		Qhe Annual energy consumption (GCV)	Gj	-			
Warm climate water outlet 35°C	General	Annual energy consumption	kWh	1,139	1,276	1,437	
		ηs (Seasonal space heating efficiency)	%	241	248	257	
		Prated at 2°C	kW	5.2	6.0	7.0	
Space heating general	Air to water unit	Rated airflow (outdoor)	m³/h	2,280.0	2,520.0	2,770.0	
	Brine/water to water unit	Rated water/brine flow	m³/h	0.0			
	Other	Capacity control			Inverter		
		Pck (Crankcase heater mode)	kW	0.000			
		Poff (Off mode)	kW	0.010			
		Psb (Standby mode)	kW	0.010			
Pto (Thermostat off)	kW	0.010					

## 2 Specifications

2

CONNECTABLE INDOOR UNITS				EHVH04S23DV/ERGA04DV	EHVH08S23DV/ERGA06DV	EHVH08S23DV/ERGA08DV	
Domestic hot water heating	General	Declared load profile		XL			
		Function to fix water heating during off peak hours		Yes			
	Average climate	AEC (Annual electricity consumption)		kWh	1,243		
		η <sub>wh</sub> (water heating efficiency)		%	134		
		Q <sub>fuel</sub> (Daily fuel consumption)		kWh	5.650		
		Water heating energy efficiency class			A+		
	Cold climate	AEC (Annual electricity consumption)		kWh	1,455		
		η <sub>wh</sub> (water heating efficiency)		%	116		
		Qelec (Daily electricity consumption)		kWh	6.610		
	Warm climate	AEC (Annual electricity consumption)		kWh	1,017		
η <sub>wh</sub> (water heating efficiency)		%	166				
Qelec (Daily electricity consumption)		kWh	4.620				
Heating capacity	Nom.		kW	4.30 (1) / 4.20 (2)	6.00 (1) / 5.90 (2)	7.50 (1) / 7.50 (2)	
Power input	Heating	Nom.		kW	0.85 (1) / 1.16 (2)	1.24 (1) / 1.69 (2)	1.63 (1) / 2.14 (2)
	Domestic hot water from 10°C to 50°C	Nom.		kWh	3.01		
COP					5.10 (1) / 3.62 (2)	4.85 (1) / 3.50 (2)	4.60 (1) / 3.50 (2)
Pump	Nominal ESP unit	Heating		kPa	59.9 (1) / 59.9 (2)	52.4 (1) / 52.9 (2)	43.3 (1) / 43.3 (2)
Water side Heat exchanger	Water flow rate	Heating	Nom.	l/min	12.3 (1) / 12.0 (2)	17.2 (1) / 16.9 (2)	21.5 (1) / 21.5 (2)
General	Supplier/Manufacturer details	Name and address		Daikin Europe N.V. - Zandvoordestraat 300, 8400 Oostende, Belgium			
		Name or trademark		Daikin Europe N.V.			
	Product description	Air-to-water heat pump		Yes			
		Brine-to-water heat pump		No			
		Heat pump combination heater		No			
		Low-temperature heat pump		No			
		Supplementary heater integrated		Yes			
Water-to-water heat pump		No					
LW(A) Sound power level (according to EN14825)	Indoor		dB(A)	42			
LW(A) Sound power level (according to EN14825)	Outdoor		dB(A)	58	60	62	
Sound condition Ecodesign and energy label				Sound power in heating mode, measured according to the EN12102 under conditions of the EN14825			
Heat up time from 10°C to 50°C				hr	1h40min		

### Notes

- (1) Condition 1: cooling Ta 35°C - LWE 18°C (DT = 5°C); heating Ta DB/WB 7°C/6°C - LWC 35°C (DT = 5°C)
- (2) Condition 2: cooling Ta 35°C - LWE 7°C (DT = 5°C); heating Ta DB/WB 7°C/6°C - LWC 45°C (DT = 5°C)
- (3) According to EU811/2013 - lay out 2015
- (4) According to EU811/2013 - lay out 2019

## 2 Specifications

CONNECTABLE INDOOR UNITS				EHVH04S23DVG/ERGA04DV	EHVH08S23DVG/ERGA06DV	EHVH08S23DVG/ERGA08DV		
<b>2-6 Capacity and Power input</b>								
Space heating	Average climate water outlet 55°C	General	SCOP		3.26		3.32	
			Annual energy consumption	kWh	3,806	4,441	4,975	
			ηs (Seasonal space heating efficiency)	%	127		130	
			Prated at -10°C	kW	6.0	7.0	8.0	
			Seasonal space heating eff. class		A++			
		A Condition (-7°CDB/-8°CWB)	Cdh (Degradation heating)		1.0			
			COPd		1.97	1.98	1.96	
			Pdh	kW	5.3	5.9	6.9	
			PERd	%	79		78	
		B Condition (2°CDB/1°CWB)	Cdh (Degradation heating)		1.0			
			COPd		3.23	3.16	3.20	
			Pdh	kW	3.3	3.9	4.4	
			PERd	%	129	126	128	
		C Condition (7°CDB/6°CWB)	Cdh (Degradation heating)		1.0			
			COPd		4.40	4.49	4.64	
	Pdh		kW	3.0		3.3		
	PERd		%	176	180	186		
	D Condition (12°CDB/11°CWB)	Cdh (Degradation heating)		1.0				
		COPd		6.10		6.22		
		Pdh	kW	3.3		4.1		
		PERd	%	244		249		
	Tol (temperature operating limit)	COPd		1.37	1.53	1.64		
		Pdh	kW	4.0	5.4	7.1		
		PERd	%	55	61	66		
		TOL	°C	-10				
		WTOL	°C	55				
	Rated heat output supplementary capacity	Psup (at Tdesign - 10°C)		kW	2.0	1.6	1.0	
Tbiv (bivalent temperature)		COPd		1.97	2.12	1.90		
		Pdh	kW	5.3	6.1	7.5		
		PERd	%	79	85	76		
	Tbiv	°C	-7	-6	-8			
Cold climate water outlet 55°C	General	Annual energy consumption	kWh	4,468	5,300	6,886		
		ηs (Seasonal space heating efficiency)	%	107	109	112		
		Prated at -22°C	kW	5.0	6.0	8.0		
Warm climate water outlet 55°C	General	Annual energy consumption	kWh	1,660	1,858	2,213		
		ηs (Seasonal space heating efficiency)	%	148	158	161		
		Prated at 2°C	kW	4.7	5.6	6.8		

## 2 Specifications

CONNECTABLE INDOOR UNITS				EHVH04S23DVG/ERGA04DV	EHVH08S23DVG/ERGA06DV	EHVH08S23DVG/ERGA08DV	
Space heating	Average climate water outlet 35°C	General	SCOP		4.48	4.47	4.56
			Annual energy consumption	kWh	2,766	3,233	3,625
			$\eta_s$ (Seasonal space heating efficiency)	%	176		179
			Prated at -10°C	kW	6.0	7.0	8.0
			Seasonal space heating eff. class		A++ (3) / A+++ (4)		
		A Condition (-7°CDB/ 8°CWB)	COPd		2.90	2.86	2.77
			Pdh	kW	5.5	6.0	7.0
			PERd	%	116	114	111
		B Condition (2°CDB/ 1°CWB)	Cdh (Degradation heating)		1.0		
			COPd		4.33	4.25	4.35
			Pdh	kW	3.3	3.9	4.2
			PERd	%	173	170	174
		C Condition (7°CDB/ 6°CWB)	Cdh (Degradation heating)		1.0		
			COPd		6.19	6.30	6.49
			Pdh	kW	3.2		3.3
			PERd	%	248	252	260
		D Condition (12°CDB/ 11°CWB)	Cdh (Degradation heating)		1.0		
			COPd		7.78		8.52
			Pdh	kW	3.3		3.9
			PERd	%	311		341
	Tol (temperature operating limit)	COPd		2.56	2.49	2.41	
		Pdh	kW	5.2	6.0	6.9	
		PERd	%	102	100	96	
		TOL	°C	-10			
		WTOL	°C	35			
	Tbiv (bivalent temperature)	COPd		2.90	2.49	2.66	
		Pdh	kW	5.5	6.0	7.5	
		PERd	%	116	100	106	
		Tbiv	°C	-7	-6	-8	
	Rated heat output supplementary capacity	Psup (at Tdesign - 10°C)	kW	0.8	1.0	1.1	
Cold climate water outlet 35°C	General	Annual energy consumption	kWh	3,230	3,749	5,034	
		$\eta_s$ (Seasonal space heating efficiency)	%	150	155	154	
		Prated at -22°C	kW	5.0	6.0	8.0	
		Qhe Annual energy consumption (GCV)	Gj	-			
Warm climate water outlet 35°C	General	Annual energy consumption	kWh	1,139	1,276	1,437	
		$\eta_s$ (Seasonal space heating efficiency)	%	241	248	257	
		Prated at 2°C	kW	5.2	6.0	7.0	
Space heating general	Air to water unit	Rated airflow (outdoor)		m³/h	2,280.0	2,520.0	2,770.0
	Brine/water to water unit	Rated water/brine flow		m³/h	0.0		
	Other	Capacity control			Inverter		
		Pck (Crankcase heater mode)			kW	0.000	
		Poff (Off mode)			kW	0.010	
		Psb (Standby mode)			kW	0.010	
Pto (Thermostat off)			kW	0.010			

## 2 Specifications

CONNECTABLE INDOOR UNITS				EHVH04S23DVG/ERGA04DV	EHVH08S23DVG/ERGA06DV	EHVH08S23DVG/ERGA08DV	
Domestic hot water heating	General	Declared load profile		XL			
		Function to fix water heating during off peak hours		Yes			
	Average climate	AEC (Annual electricity consumption)	kWh	1,243			
		$\eta_{wh}$ (water heating efficiency)	%	134			
		Q <sub>fuel</sub> (Daily fuel consumption)	kWh	5.650			
		Water heating energy efficiency class		A+			
	Cold climate	AEC (Annual electricity consumption)	kWh	1,455			
		$\eta_{wh}$ (water heating efficiency)	%	116			
		Q <sub>elec</sub> (Daily electricity consumption)	kWh	6.610			
	Warm climate	AEC (Annual electricity consumption)	kWh	1,017			
$\eta_{wh}$ (water heating efficiency)		%	166				
Q <sub>elec</sub> (Daily electricity consumption)		kWh	4.620				
Heating capacity	Nom.	kW	4.30 (1) / 4.20 (2)	6.00 (1) / 5.90 (2)	7.50 (1) / 7.50 (2)		
Power input	Heating	Nom.	kW	0.85 (1) / 1.16 (2)	1.24 (1) / 1.69 (2)	1.63 (1) / 2.14 (2)	
	Domestic hot water from 10°C to 50°C	Nom.	kWh	3.01			
COP				5.10 (1) / 3.62 (2)	4.85 (1) / 3.50 (2)	4.60 (1) / 3.50 (2)	
Pump	Nominal ESP unit	Heating	kPa	59.9 (1) / 59.9 (2)	52.4 (1) / 52.9 (2)	43.3 (1) / 43.3 (2)	
Water side Heat exchanger	Water flow rate	Heating	Nom.	l/min	12.3 (1) / 12.0 (2)	17.2 (1) / 16.9 (2)	21.5 (1) / 21.5 (2)
General	Supplier/Manufacturer details	Name and address		Daikin Europe N.V. - Zandvoordestraat 300, 8400 Oostende, Belgium			
		Name or trademark		Daikin Europe N.V.			
	Product description	Air-to-water heat pump		Yes			
		Brine-to-water heat pump		No			
		Heat pump combination heater		No			
		Low-temperature heat pump		No			
		Supplementary heater integrated		Yes			
Water-to-water heat pump		No					
LW(A) Sound power level (according to EN14825)	Indoor		dB(A)	42			
LW(A) Sound power level (according to EN14825)	Outdoor		dB(A)	58	60	62	
Sound condition Ecodesign and energy label			Sound power in heating mode, measured according to the EN12102 under conditions of the EN14825				
Heat up time from 10°C to 50°C			hr	1h40min			

### Notes

- (1) Condition 1: cooling Ta 35°C - LWE 18°C (DT = 5°C); heating Ta DB/WB 7°C/6°C - LWC 35°C (DT = 5°C)
- (2) Condition 2: cooling Ta 35°C - LWE 7°C (DT = 5°C); heating Ta DB/WB 7°C/6°C - LWC 45°C (DT = 5°C)
- (3) According to EU811/2013 - lay out 2015
- (4) According to EU811/2013 - lay out 2019

## 2 Specifications

CONNECTABLE INDOOR UNITS				EHVH04S18D 6V/ERGA04DV	EHVH04S23D 6V/ERGA04DV	EHVH08S18D 6V/ERGA06DV	EHVH08S23D 6V/ERGA06DV	EHVH08S18D 6V/ERGA08DV	EHVH08S23D 6V/ERGA08DV		
<b>2-7 Capacity and Power input</b>											
Space heating	Average climate water outlet 55°C	General	SCOP		3.26			3.32			
			Annual energy consumption	kWh	3,806		4,441		4,975		
			ηs (Seasonal space heating efficiency)	%	127			130			
			Prated at -10°C	kW	6.0		7.0		8.0		
			Seasonal space heating eff. class		A++						
		A Condition (-7°CDB/-8°CWB)	Cdh (Degradation heating)		1.0						
			COPd		1.97		1.98		1.96		
			Pdh	kW	5.3		5.9		6.9		
			PERd	%	79			78			
		B Condition (2°CDB/1°CWB)	Cdh (Degradation heating)		1.0						
			COPd		3.23		3.16		3.20		
			Pdh	kW	3.3		3.9		4.4		
			PERd	%	129		126		128		
		C Condition (7°CDB/6°CWB)	Cdh (Degradation heating)		1.0						
			COPd		4.40		4.49		4.64		
			Pdh	kW	3.0			3.3			
			PERd	%	176		180		186		
		D Condition (12°CDB/11°CWB)	Cdh (Degradation heating)		1.0						
			COPd		6.10			6.22			
			Pdh	kW	3.3			4.1			
			PERd	%	244			249			
		Tol (temperature operating limit)	COPd		1.37		1.53		1.64		
			Pdh	kW	4.0		5.4		7.1		
			PERd	%	55		61		66		
	TOL		°C	-10							
	WTOL		°C	55							
	Rated heat output supplementary capacity	Psup (at Tdesign - 10°C)		2.0		1.6		1.0			
		Tbiv (bivalent temperature)	COPd		1.97		2.12		1.90		
	Pdh		kW	5.3		6.1		7.5			
	PERd		%	79		85		76			
	Tbiv		°C	-7		-6		-8			
	Cold climate water outlet 55°C	General	Annual energy consumption	kWh	4,468		5,300		6,886		
			ηs (Seasonal space heating efficiency)	%	107		109		112		
Prated at -22°C			kW	5.0		6.0		8.0			
Warm climate water outlet 55°C	General	Annual energy consumption	kWh	1,660		1,858		2,213			
		ηs (Seasonal space heating efficiency)	%	148		158		161			
		Prated at 2°C	kW	4.7		5.6		6.8			

## 2 Specifications

CONNECTABLE INDOOR UNITS				EHVH04S18D 6V/ERGA04DV	EHVH04S23D 6V/ERGA04DV	EHVH08S18D 6V/ERGA06DV	EHVH08S23D 6V/ERGA06DV	EHVH08S18D 6V/ERGA08DV	EHVH08S23D 6V/ERGA08DV	
Space heating	Average climate water outlet 35°C	General	SCOP	4.48		4.47		4.56		
			Annual energy consumption	kWh	2,766		3,233		3,625	
			ηs (Seasonal space heating efficiency)	%	176				179	
			Prated at -10°C	kW	6.0		7.0		8.0	
			Seasonal space heating eff. class		A++ (3) / A+++ (4)					
		A Condition (-7°CDB/-8°CWB)	COPd	2.90		2.86		2.77		
			Pdh	kW	5.5		6.0		7.0	
			PERd	%	116		114		111	
		B Condition (2°CDB/1°CWB)	Cdh (Degradation heating)			1.0				
			COPd	4.33		4.25		4.35		
			Pdh	kW	3.3		3.9		4.2	
		C Condition (7°CDB/6°CWB)	Cdh (Degradation heating)			1.0				
			COPd	6.19		6.30		6.49		
			Pdh	kW	3.2				3.3	
		D Condition (12°CDB/11°CWB)	Cdh (Degradation heating)			1.0				
	COPd		7.78				8.52			
	Pdh		kW	3.3				3.9		
	Tol (temperature operating limit)	PERd	%	311				341		
		COPd	2.56		2.49		2.41			
		Pdh	kW	5.2		6.0		6.9		
		PERd	%	102		100		96		
	Tbiv (bivalent temperature)	TOL	°C			-10				
		WTOL	°C			35				
		COPd	2.90		2.49		2.66			
		Pdh	kW	5.5		6.0		7.5		
	Rated heat output supplementary capacity	PERd	%	116		100		106		
		Tbiv	°C	-7		-6		-8		
		Psup (at Tdesign - 10°C)	kW	0.8		1.0		1.1		
	Cold climate water outlet 35°C	General	Annual energy consumption	kWh	3,230		3,749		5,034	
			ηs (Seasonal space heating efficiency)	%	150		155		154	
			Prated at -22°C	kW	5.0		6.0		8.0	
			Qhe Annual energy consumption (GCV)	Gj			-			
Warm climate water outlet 35°C	General	Annual energy consumption	kWh	1,139		1,276		1,437		
		ηs (Seasonal space heating efficiency)	%	241		248		257		
		Prated at 2°C	kW	5.2		6.0		7.0		
Space heating general	Air to water unit	Rated airflow (outdoor)	m³/h	2,280.0		2,520.0		2,770.0		
	Brine/water to water unit	Rated water/brine flow	m³/h			0.0				
	Other	Capacity control			Inverter					
		Pck (Crankcase heater mode)	kW			0.000				
		Poff (Off mode)	kW			0.010				
		Psb (Standby mode)	kW			0.010				
	Integrated supplementary heater	Pto (Thermostat off)	kW			0.010				
Psup			kW			6.0				

## 2 Specifications

2

CONNECTABLE INDOOR UNITS				EHVH04S18D 6V/ERGA04DV	EHVH04S23D 6V/ERGA04DV	EHVH08S18D 6V/ERGA06DV	EHVH08S23D 6V/ERGA06DV	EHVH08S18D 6V/ERGA08DV	EHVH08S23D 6V/ERGA08DV	
Domestic hot water heating	General	Declared load profile		L	XL	L	XL	L	XL	
		Function to fix water heating during off peak hours		Yes						
	Average climate	AEC (Annual electricity consumption)		kWh	897	1,243	897	1,243	897	1,243
		η <sub>wh</sub> (water heating efficiency)		%	-	134	-	134	-	134
		Q <sub>fuel</sub> (Daily fuel consumption)		kWh	4.080	5.650	4.080	5.650	4.080	5.650
		Water heating energy efficiency class		A+						
	Cold climate	AEC (Annual electricity consumption)		kWh	1,043	1,455	1,043	1,455	1,043	1,455
		η <sub>wh</sub> (water heating efficiency)		%	98	116	98	116	98	116
		Qelec (Daily electricity consumption)		kWh	4.740	6.610	4.740	6.610	4.740	6.610
	Warm climate	AEC (Annual electricity consumption)		kWh	740	1,017	740	1,017	740	1,017
η <sub>wh</sub> (water heating efficiency)		%	139	166	139	166	139	166		
Qelec (Daily electricity consumption)		kWh	3.360	4.620	3.360	4.620	3.360	4.620		
Heating capacity	Nom.		kW	4.30 (1) / 4.20 (2)		6.00 (1) / 5.90 (2)		7.50 (1) / 7.50 (2)		
Power input	Heating	Nom.	kW	0.850 (1) / 1.16 (2)		1.24 (1) / 1.69 (2)		1.63 (1) / 2.14 (2)		
	Domestic hot water from 10°C to 50°C	Nom.	kWh	2.48	3.01	2.48	3.01	2.48	3.01	
COP				5.10 (1) / 3.62 (2)		4.85 (1) / 3.50 (2)		4.60 (1) / 3.50 (2)		
Pump	Nominal ESP unit	Heating		kPa	59.6 (1) / 59.9 (2)		52.4 (1) / 52.9 (2)		43.3 (1) / 43.3 (2)	
Water side Heat exchanger	Water flow rate	Heating	Nom.	l/min	12.3 (1) / 12.0 (2)		17.2 (1) / 16.9 (2)		21.5 (1) / 21.5 (2)	
General	Supplier/Manufacturer details	Name and address		Daikin Europe N.V. - Zandvoordestraat 300, 8400 Oostende, Belgium						
		Name or trademark		Daikin Europe N.V.						
	Product description	Air-to-water heat pump		Yes						
		Brine-to-water heat pump		No						
		Heat pump combination heater		No						
		Low-temperature heat pump		No						
		Supplementary heater integrated		Yes						
Water-to-water heat pump		No								
LW(A) Sound power level (according to EN14825)	Indoor		dB(A)	42						
LW(A) Sound power level (according to EN14825)	Outdoor		dB(A)	58		60		62		
Sound condition Ecodesign and energy label				Sound power in heating mode, measured according to the EN12102 under conditions of the EN14825						
Heat up time from 10°C to 50°C				hr	1h28min	1h40min	1h28min	1h40min	1h28min	1h40min

### Notes

- (1) Condition 1: cooling Ta 35°C - LWE 18°C (DT = 5°C); heating Ta DB/WB 7°C/6°C - LWC 35°C (DT = 5°C)
- (2) Condition 2: cooling Ta 35°C - LWE 7°C (DT = 5°C); heating Ta DB/WB 7°C/6°C - LWC 45°C (DT = 5°C)
- (3) According to EU811/2013 - lay out 2015
- (4) According to EU811/2013 - lay out 2019



## 2 Specifications

CONNECTABLE INDOOR UNITS				EHVH04S18D6 VG/ERGA04DV	EHVH04S23D6 VG/ERGA04DV	EHVH08S18D6 VG/ERGA06DV	EHVH08S23D6 VG/ERGA06DV	EHVH08S18D6 VG/ERGA08DV	EHVH08S23D6 VG/ERGA08DV		
<b>2-8 Capacity and Power input</b>											
Space heating	Average climate water outlet 55°C	General	SCOP		3.26			3.32			
			Annual energy consumption	kWh	3,806		4,441		4,975		
			ηs (Seasonal space heating efficiency)	%	127			130			
			Prated at -10°C	kW	6.0		7.0		8.0		
			Seasonal space heating eff. class		A++						
		A Condition (-7°CDB/-8°CWB)	Cdh (Degradation heating)		1.0						
			COPd		1.97		1.98		1.96		
			Pdh	kW	5.3		5.9		6.9		
			PERd	%	79			78			
		B Condition (2°CDB/1°CWB)	Cdh (Degradation heating)		1.0						
			COPd		3.23		3.16		3.20		
			Pdh	kW	3.3		3.9		4.4		
			PERd	%	129		126		128		
		C Condition (7°CDB/6°CWB)	Cdh (Degradation heating)		1.0						
			COPd		4.40		4.49		4.64		
			Pdh	kW	3.0			3.3			
			PERd	%	176		180		186		
		D Condition (12°CDB/11°CWB)	Cdh (Degradation heating)		1.0						
			COPd		6.10			6.22			
			Pdh	kW	3.3			4.1			
			PERd	%	244			249			
	Tol (temperature operating limit)	COPd		1.37		1.53		1.64			
		Pdh	kW	4.0		5.4		7.1			
		PERd	%	55		61		66			
		TOL	°C	-10							
		WTOL	°C	55							
	Rated heat output supplementary capacity	Psup (at Tdesign - 10°C)		kW		2.0		1.6		1.0	
		Tbiv (bivalent temperature)	COPd		1.97		2.12		1.90		
			Pdh	kW	5.3		6.1		7.5		
			PERd	%	79		85		76		
	Tbiv		°C	-7		-6		-8			
	Cold climate water outlet 55°C	General	Annual energy consumption	kWh	4,468		5,300		6,886		
			ηs (Seasonal space heating efficiency)	%	107		109		112		
Prated at -22°C			kW	5.0		6.0		8.0			
Warm climate water outlet 55°C	General	Annual energy consumption	kWh	1,660		1,858		2,213			
		ηs (Seasonal space heating efficiency)	%	148		158		161			
		Prated at 2°C	kW	4.7		5.6		6.8			

## 2 Specifications

CONNECTABLE INDOOR UNITS				EHVH04S18D6 VG/ERGA04DV	EHVH04S23D6 VG/ERGA04DV	EHVH08S18D6 VG/ERGA06DV	EHVH08S23D6 VG/ERGA06DV	EHVH08S18D6 VG/ERGA08DV	EHVH08S23D6 VG/ERGA08DV		
Space heating	Average climate water outlet 35°C	General	SCOP		4.48		4.47		4.56		
			Annual energy consumption	kWh	2,766		3,233		3,625		
			$\eta_s$ (Seasonal space heating efficiency)	%	176				179		
			Prated at -10°C	kW	6.0		7.0		8.0		
			Seasonal space heating eff. class		A++ (3) / A+++ (4)						
		A Condition (-7°CDB/-8°CWB)	COPd		2.90		2.86		2.77		
			Pdh	kW	5.5		6.0		7.0		
			PERd	%	116		114		111		
		B Condition (2°CDB/1°CWB)	Cdh (Degradation heating)				1.0				
			COPd		4.33		4.25		4.35		
			Pdh	kW	3.3		3.9		4.2		
		C Condition (7°CDB/6°CWB)	Cdh (Degradation heating)				1.0				
			COPd		6.19		6.30		6.49		
			Pdh	kW	3.2				3.3		
		D Condition (12°CDB/11°CWB)	Cdh (Degradation heating)				1.0				
			COPd				7.78		8.52		
	Pdh		kW			3.3		3.9			
	Tol (temperature operating limit)	PERd				311		341			
		COPd		2.56		2.49		2.41			
		Pdh	kW	5.2		6.0		6.9			
		PERd	%	102		100		96			
	Tbiv (bivalent temperature)	TOL				-10					
		WTOL				35					
		COPd		2.90		2.49		2.66			
		Pdh	kW	5.5		6.0		7.5			
	Rated heat output supplementary capacity	PERd		116		100		106			
		Tbiv		°C		-7		-6			
		Psup (at Tdesign - 10°C)		kW		0.8		1.0			
Cold climate water outlet 35°C	General	Annual energy consumption		kWh		3,230		3,749			
		$\eta_s$ (Seasonal space heating efficiency)		%		150		155			
		Prated at -22°C		kW		5.0		6.0			
		Qhe Annual energy consumption (GCV)		Gj				-			
Warm climate water outlet 35°C	General	Annual energy consumption		kWh		1,139		1,276			
		$\eta_s$ (Seasonal space heating efficiency)		%		241		248			
		Prated at 2°C		kW		5.2		6.0			
Space heating general	Air to water unit	Rated airflow (outdoor)		m³/h		2,280.0		2,520.0			
	Brine/water to water unit	Rated water/brine flow		m³/h		0.0					
	Other	Capacity control						Inverter			
		Pck (Crankcase heater mode)		kW				0.000			
		Poff (Off mode)		kW				0.010			
		Psb (Standby mode)		kW				0.010			
	Pto (Thermostat off)		kW				0.010				
Integrated supplement any heater	Psup		kW				6.0				

## 2 Specifications

CONNECTABLE INDOOR UNITS				EHVH04S18D6 VG/ERGA04DV	EHVH04S23D6 VG/ERGA04DV	EHVH08S18D6 VG/ERGA06DV	EHVH08S23D6 VG/ERGA06DV	EHVH08S18D6 VG/ERGA08DV	EHVH08S23D6 VG/ERGA08DV	
Domestic hot water heating	General	Declared load profile		L	XL	L	XL	L	XL	
		Function to fix water heating during off peak hours		Yes						
	Average climate	AEC (Annual electricity consumption)		kWh	897	1,243	897	1,243	897	1,243
		η <sub>wh</sub> (water heating efficiency)		%	-	134	-	134	-	134
		Q <sub>fuel</sub> (Daily fuel consumption)		kWh	4.080	5.650	4.080	5.650	4.080	5.650
		Water heating energy efficiency class		A+						
	Cold climate	AEC (Annual electricity consumption)		kWh	1,043	1,455	1,043	1,455	1,043	1,455
		η <sub>wh</sub> (water heating efficiency)		%	98	116	98	116	98	116
		Q <sub>elec</sub> (Daily electricity consumption)		kWh	4.740	6.610	4.740	6.610	4.740	6.610
	Warm climate	AEC (Annual electricity consumption)		kWh	740	1,017	740	1,017	740	1,017
η <sub>wh</sub> (water heating efficiency)		%	139	166	139	166	139	166		
Q <sub>elec</sub> (Daily electricity consumption)		kWh	3.360	4.620	3.360	4.620	3.360	4.620		
Heating capacity	Nom.		kW	4.30 (1) / 4.20 (2)		6.00 (1) / 5.90 (2)		7.50 (1) / 7.50 (2)		
Power input	Heating	Nom.		kW	0.850 (1) / 1.16 (2)		1.24 (1) / 1.69 (2)		1.63 (1) / 2.14 (2)	
	Domestic hot water from 10°C to 50°C	Nom.		kWh	2.48	3.01	2.48	3.01	2.48	3.01
COP				5.10 (1) / 3.62 (2)		4.85 (1) / 3.50 (2)		4.60 (1) / 3.50 (2)		
Pump	Nominal ESP unit	Heating		kPa	59.6 (1) / 59.9 (2)		52.4 (1) / 52.9 (2)		43.3 (1) / 43.3 (2)	
Water side Heat exchanger	Water flow rate	Heating	Nom.	l/min	12.3 (1) / 12.0 (2)		17.2 (1) / 16.9 (2)		21.5 (1) / 21.5 (2)	
General	Supplier/Manufacturer details	Name and address		Daikin Europe N.V. - Zandvoordestraat 300, 8400 Oostende, Belgium						
		Name or trademark		Daikin Europe N.V.						
	Product description	Air-to-water heat pump		Yes						
		Brine-to-water heat pump		No						
		Heat pump combination heater		No						
		Low-temperature heat pump		No						
		Supplementary heater integrated		Yes						
Water-to-water heat pump		No								
LW(A) Sound power level (according to EN14825)	Indoor		dB(A)	42						
LW(A) Sound power level (according to EN14825)	Outdoor		dB(A)	58		60		62		
Sound condition Ecodesign and energy label				Sound power in heating mode, measured according to the EN12102 under conditions of the EN14825						
Heat up time from 10°C to 50°C				hr	1h28min	1h40min	1h28min	1h40min	1h28min	1h40min

### Notes

- (1) Condition 1: cooling Ta 35°C - LWE 18°C (DT = 5°C); heating Ta DB/WB 7°C/6°C - LWC 35°C (DT = 5°C)
- (2) Condition 2: cooling Ta 35°C - LWE 7°C (DT = 5°C); heating Ta DB/WB 7°C/6°C - LWC 45°C (DT = 5°C)
- (3) According to EU811/2013 - lay out 2015
- (4) According to EU811/2013 - lay out 2019

## 2 Specifications

CONNECTABLE INDOOR UNITS				EHVH08S18D9W/ ERGA06DV	EHVH08S23D9W/ ERGA06DV	EHVH08S18D9W/ ERGA08DV	EHVH08S23D9W/ ERGA08DV
<b>2-9 Capacity and Power input</b>							
Space heating	Average climate water outlet 55°C	General	SCOP		3.26		3.32
			Annual energy consumption	kWh	4,441		4,975
			$\eta_s$ (Seasonal space heating efficiency)	%	127		130
			Prated at -10°C	kW	7.0		8.0
			Seasonal space heating eff. class		A++		
		A Condition (-7°CDB/-8°CWB)	Cdh (Degradation heating)		1.0		
			COPd		1.98	1.96	
			Pdh	kW	5.9	6.9	
			PERd	%	79	78	
		B Condition (2°CDB/1°CWB)	Cdh (Degradation heating)		1.0		
			COPd		3.16	3.20	
			Pdh	kW	3.9	4.4	
			PERd	%	126	128	
		C Condition (7°CDB/6°CWB)	Cdh (Degradation heating)		1.0		
			COPd		4.49	4.64	
			Pdh	kW	3.0	3.3	
			PERd	%	180	186	
		D Condition (12°CDB/11°CWB)	Cdh (Degradation heating)		1.0		
			COPd		6.10	6.22	
			Pdh	kW	3.3	4.1	
			PERd	%	244	249	
		Tol (temperature operating limit)	COPd		1.53	1.64	
			Pdh	kW	5.4	7.1	
			PERd	%	61	66	
	TOL		°C	-10			
	WTOL		°C	55			
	Rated heat output supplementary capacity	Psup (at Tdesign - 10°C)	kW	1.6	1.0		
		Tbiv (bivalent temperature)	COPd		2.12	1.90	
	Pdh		kW	6.1	7.5		
	PERd		%	85	76		
	Tbiv		°C	-6	-8		
	Cold climate water outlet 55°C	General	Annual energy consumption	kWh	5,300	6,886	
$\eta_s$ (Seasonal space heating efficiency)			%	109	112		
Prated at -22°C			kW	6.0	8.0		
Warm climate water outlet 55°C	General	Annual energy consumption	kWh	1,858	2,213		
		$\eta_s$ (Seasonal space heating efficiency)	%	158	161		
		Prated at 2°C	kW	5.6	6.8		

## 2 Specifications

CONNECTABLE INDOOR UNITS				EHVH08S18D9W/ ERGA06DV	EHVH08S23D9W/ ERGA06DV	EHVH08S18D9W/ ERGA08DV	EHVH08S23D9W/ ERGA08DV		
Space heating	Average climate water outlet 35°C	General	SCOP		4.47		4.56		
			Annual energy consumption	kWh	3,233		3,625		
			ηs (Seasonal space heating efficiency)	%	176		179		
			Prated at -10°C	kW	7.0		8.0		
			Seasonal space heating eff. class		A++ (3) / A+++ (4)				
		A Condition (-7°CDB/-8°CWB)	COPd		2.86		2.77		
			Pdh	kW	6.0		7.0		
			PERd	%	114		111		
		B Condition (2°CDB/1°CWB)	Cdh (Degradation heating)		1.0				
			COPd		4.25		4.35		
			Pdh	kW	3.9		4.2		
		C Condition (7°CDB/6°CWB)	Cdh (Degradation heating)		1.0				
			COPd		6.30		6.49		
			Pdh	kW	3.2		3.3		
		D Condition (12°CDB/11°CWB)	Cdh (Degradation heating)		1.0				
			COPd		7.78		8.52		
			Pdh	kW	3.3		3.9		
		Tol (temperature operating limit)	COPd		2.49		2.41		
			Pdh	kW	6.0		6.9		
			PERd	%	100		96		
	TOL		°C	-10					
	Tbiv (bivalent temperature)	COPd		2.49		2.66			
		Pdh	kW	6.0		7.5			
		PERd	%	100		106			
		Tbiv	°C	-6		-8			
	Rated heat output supplementary capacity	Psup (at Tdesign - 10°C)		1.0		1.1			
	Cold climate water outlet 35°C	General	Annual energy consumption	kWh	3,749		5,034		
			ηs (Seasonal space heating efficiency)	%	155		154		
			Prated at -22°C	kW	6.0		8.0		
			Qhe Annual energy consumption (GCV)	Gj	-				
	Warm climate water outlet 35°C	General	Annual energy consumption	kWh	1,276		1,437		
ηs (Seasonal space heating efficiency)			%	248		257			
Prated at 2°C			kW	6.0		7.0			
Space heating general	Air to water unit	Rated airflow (outdoor)		m³/h	2,520.0		2,770.0		
	Brine/water to water unit	Rated water/brine flow		m³/h	0.0				
	Other	Capacity control			Inverter				
		Pck (Crankcase heater mode)		kW	0.000				
		Poff (Off mode)		kW	0.010				
		Psb (Standby mode)		kW	0.010				
	Pto (Thermostat off)		kW	0.010					
Integrated supplementary heater	Psup		kW	9.0					

## 2 Specifications

CONNECTABLE INDOOR UNITS				EHVH08S18D9W/ ERGA06DV	EHVH08S23D9W/ ERGA06DV	EHVH08S18D9W/ ERGA08DV	EHVH08S23D9W/ ERGA08DV	
Domestic hot water heating	General	Declared load profile		L	XL	L	XL	
		Function to fix water heating during off peak hours		Yes				
	Average climate	AEC (Annual electricity consumption)		kWh	897	1,243	897	1,243
		η <sub>wh</sub> (water heating efficiency)		%	-	134	-	134
		Q <sub>fuel</sub> (Daily fuel consumption)		kWh	4.080	5.650	4.080	5.650
		Water heating energy efficiency class		A+				
	Cold climate	AEC (Annual electricity consumption)		kWh	1,043	1,455	1,043	1,455
		η <sub>wh</sub> (water heating efficiency)		%	98	116	98	116
		Q <sub>elec</sub> (Daily electricity consumption)		kWh	4.740	6.610	4.740	6.610
	Warm climate	AEC (Annual electricity consumption)		kWh	740	1,017	740	1,017
η <sub>wh</sub> (water heating efficiency)		%	139	166	139	166		
Q <sub>elec</sub> (Daily electricity consumption)		kWh	3.360	4.620	3.360	4.620		
Heating capacity	Nom.	kW		6.00 (1) / 5.90 (2)		7.50 (1) / 7.50 (2)		
Power input	Heating	Nom.	kW		1.24 (1) / 1.69 (2)		1.63 (1) / 2.14 (2)	
	Domestic hot water from 10°C to 50°C	Nom.	kWh		2.48	3.01	2.48	3.01
COP				4.85 (1) / 3.50 (2)		4.60 (1) / 3.50 (2)		
Pump	Nominal ESP unit	Heating		kPa		52.4 (1) / 52.9 (2)		
Water side Heat exchanger	Water flow rate	Heating	Nom.	l/min		17.2 (1) / 16.9 (2)		
						21.5 (1) / 21.5 (2)		
General	Supplier/Manufacturer details	Name and address		Daikin Europe N.V. - Zandvoordestraat 300, 8400 Oostende, Belgium				
		Name or trademark		Daikin Europe N.V.				
	Product description	Air-to-water heat pump		Yes				
		Brine-to-water heat pump		No				
		Heat pump combination heater		No				
		Low-temperature heat pump		No				
		Supplementary heater integrated		Yes				
Water-to-water heat pump		No						
LW(A) Sound power level (according to EN14825)	Indoor	dB(A)		42				
LW(A) Sound power level (according to EN14825)	Outdoor	dB(A)		60		62		
Sound condition Ecodesign and energy label				Sound power in heating mode, measured according to the EN12102 under conditions of the EN14825				
Heat up time from 10°C to 50°C			hr	1h28min	1h40min	1h28min	1h40min	

### Notes

- (1) Condition 1: cooling Ta 35°C - LWE 18°C (DT = 5°C); heating Ta DB/WB 7°C/6°C - LWC 35°C (DT = 5°C)
- (2) Condition 2: cooling Ta 35°C - LWE 7°C (DT = 5°C); heating Ta DB/WB 7°C/6°C - LWC 45°C (DT = 5°C)
- (3) According to EU811/2013 - lay out 2015
- (4) According to EU811/2013 - lay out 2019

## 2 Specifications

CONNECTABLE INDOOR UNITS				EHVH08S18D9WG/ ERGA06DV	EHVH08S23D9WG / ERGA06DV	EHVH08S18D9WG/ ERGA08DV	EHVH08S23D9WG / ERGA08DV		
<b>2-10 Capacity and Power input</b>									
Space heating	Average climate water outlet 55°C	General	SCOP		3.26		3.32		
			Annual energy consumption	kWh	4,441		4,975		
			ηs (Seasonal space heating efficiency)	%	127		130		
			Prated at -10°C	kW	7.0		8.0		
			Seasonal space heating eff. class		A++				
		A Condition (-7°CDB/-8°CWB)	Cdh (Degradation heating)		1.0				
			COPd		1.98		1.96		
			Pdh	kW	5.9		6.9		
			PERd	%	79		78		
		B Condition (2°CDB/1°CWB)	Cdh (Degradation heating)		1.0				
			COPd		3.16		3.20		
			Pdh	kW	3.9		4.4		
			PERd	%	126		128		
		C Condition (7°CDB/6°CWB)	Cdh (Degradation heating)		1.0				
			COPd		4.49		4.64		
			Pdh	kW	3.0		3.3		
			PERd	%	180		186		
		D Condition (12°CDB/11°CWB)	Cdh (Degradation heating)		1.0				
			COPd		6.10		6.22		
			Pdh	kW	3.3		4.1		
	PERd		%	244		249			
	Tol (temperature operating limit)	COPd		1.53		1.64			
		Pdh	kW	5.4		7.1			
		PERd	%	61		66			
		TOL	°C	-10					
		WTOL	°C	55					
	Rated heat output supplementary capacity	Psup (at Tdesign - 10°C)		kW		1.6		1.0	
		Tbiv (bivalent temperature)	COPd		2.12		1.90		
			Pdh	kW	6.1		7.5		
			PERd	%	85		76		
		Tbiv	°C	-6		-8			
	Cold climate water outlet 55°C	General	Annual energy consumption	kWh	5,300		6,886		
ηs (Seasonal space heating efficiency)			%	109		112			
Prated at -22°C			kW	6.0		8.0			
Warm climate water outlet 55°C	General	Annual energy consumption	kWh	1,858		2,213			
		ηs (Seasonal space heating efficiency)	%	158		161			
		Prated at 2°C	kW	5.6		6.8			

## 2 Specifications

CONNECTABLE INDOOR UNITS				EHVH08S18D9WG/ ERGA06DV	EHVH08S23D9WG / ERGA06DV	EHVH08S18D9WG/ ERGA08DV	EHVH08S23D9WG / ERGA08DV	
Space heating	Average climate water outlet 35°C	General	SCOP		4.47		4.56	
			Annual energy consumption	kWh	3,233		3,625	
			ηs (Seasonal space heating efficiency)	%	176		179	
			Prated at -10°C	kW	7.0		8.0	
			Seasonal space heating eff. class		A++ (3) / A+++ (4)			
		A Condition (-7°CDB/-8°CWB)	COPd		2.86		2.77	
			Pdh	kW	6.0		7.0	
			PERd	%	114		111	
		B Condition (2°CDB/1°CWB)	Cdh (Degradation heating)		1.0			
			COPd		4.25		4.35	
			Pdh	kW	3.9		4.2	
		C Condition (7°CDB/6°CWB)	Cdh (Degradation heating)		1.0			
			COPd		6.30		6.49	
			Pdh	kW	3.2		3.3	
		D Condition (12°CDB/11°CWB)	Cdh (Degradation heating)		1.0			
	COPd		7.78		8.52			
	Pdh		kW	3.3		3.9		
	Tol (temperature operating limit)	PERd		311		341		
		COPd		2.49		2.41		
		Pdh	kW	6.0		6.9		
		PERd	%	100		96		
	TOL	TOL		-10				
		WTOL		35				
		COPd		2.49		2.66		
		Pdh	kW	6.0		7.5		
	PERd	PERd		100		106		
		Tbiv		-6		-8		
Rated heat output supplementary capacity		Psup (at Tdesign - 10°C)	kW	1.0	1.1			
Cold climate water outlet 35°C	General	Annual energy consumption	kWh	3,749		5,034		
		ηs (Seasonal space heating efficiency)	%	155		154		
		Prated at -22°C	kW	6.0		8.0		
		Qhe Annual energy consumption (GCV)	Gj	-				
Warm climate water outlet 35°C	General	Annual energy consumption	kWh	1,276		1,437		
		ηs (Seasonal space heating efficiency)	%	248		257		
		Prated at 2°C	kW	6.0		7.0		
Space heating general	Air to water unit	Rated airflow (outdoor)		m³/h	2,520.0		2,770.0	
	Brine/water to water unit	Rated water/brine flow		m³/h	0.0			
	Other	Capacity control			Inverter			
		Pck (Crankcase heater mode)		kW	0.000			
		Poff (Off mode)		kW	0.010			
		Psb (Standby mode)		kW	0.010			
	Pto (Thermostat off)		kW	0.010				
Integrated supplementary heater	Psup		kW	9.0				



## 2 Specifications

CONNECTABLE INDOOR UNITS				EHVH08S18D9WG/ ERGA06DV	EHVH08S23D9WG / ERGA06DV	EHVH08S18D9WG/ ERGA08DV	EHVH08S23D9WG / ERGA08DV
Domestic hot water heating	General	Declared load profile		L	XL	L	XL
		Function to fix water heating during off peak hours		Yes			
	Average climate	AEC (Annual electricity consumption)	kWh	897	1,243	897	1,243
		$\eta_{wh}$ (water heating efficiency)	%	-	134	-	134
		Q <sub>fuel</sub> (Daily fuel consumption)	kWh	4.080	5.650	4.080	5.650
		Water heating energy efficiency class		A+			
	Cold climate	AEC (Annual electricity consumption)	kWh	1,043	1,455	1,043	1,455
		$\eta_{wh}$ (water heating efficiency)	%	98	116	98	116
		Q <sub>elec</sub> (Daily electricity consumption)	kWh	4.740	6.610	4.740	6.610
	Warm climate	AEC (Annual electricity consumption)	kWh	740	1,017	740	1,017
$\eta_{wh}$ (water heating efficiency)		%	139	166	139	166	
Q <sub>elec</sub> (Daily electricity consumption)		kWh	3.360	4.620	3.360	4.620	
Heating capacity	Nom.	kW	6.00 (1) / 5.90 (2)		7.50 (1) / 7.50 (2)		
Power input	Heating	Nom.	kW	1.24 (1) / 1.69 (2)		1.63 (1) / 2.14 (2)	
	Domestic hot water from 10°C to 50°C	Nom.	kWh	2.48	3.01	2.48	3.01
COP				4.85 (1) / 3.50 (2)		4.60 (1) / 3.50 (2)	
Pump	Nominal ESP unit	Heating	kPa	52.4 (1) / 52.9 (2)		43.3 (1) / 43.3 (2)	
Water side Heat exchanger	Water flow rate	Heating	Nom.	l/min	17.2 (1) / 16.9 (2)		21.5 (1) / 21.5 (2)
General	Supplier/ Manufacturer details	Name and address		Daikin Europe N.V. - Zandvoordestraat 300, 8400 Oostende, Belgium			
		Name or trademark		Daikin Europe N.V.			
	Product description	Air-to-water heat pump		Yes			
		Brine-to-water heat pump		No			
		Heat pump combination heater		No			
		Low-temperature heat pump		No			
		Supplementary heater integrated		Yes			
Water-to-water heat pump		No					
LW(A) Sound power level (according to EN14825)	Indoor		dB(A)	42			
LW(A) Sound power level (according to EN14825)	Outdoor		dB(A)	60		62	
Sound condition Ecodesign and energy label				Sound power in heating mode, measured according to the EN12102 under conditions of the EN14825			
Heat up time from 10°C to 50°C			hr	1h28min	1h40min	1h28min	1h40min

### Notes

- (1) Condition 1: cooling Ta 35°C - LWE 18°C (DT = 5°C); heating Ta DB/WB 7°C/6°C - LWC 35°C (DT = 5°C)
- (2) Condition 2: cooling Ta 35°C - LWE 7°C (DT = 5°C); heating Ta DB/WB 7°C/6°C - LWC 45°C (DT = 5°C)
- (3) According to EU811/2013 - lay out 2015
- (4) According to EU811/2013 - lay out 2019

## 2 Specifications

CONNECTABLE INDOOR UNITS				EHVX04S18D3V/ERGA04DV		EHVX04S23D3V/ERGA04DV	
2-11 Capacity and Power input							
Space heating	Average climate water outlet 55°C	General	SCOP		3.26		
			Annual energy consumption	kWh	3,806		
			ηs (Seasonal space heating efficiency)	%	127		
			Prated at -10°C	kW	6.0		
			Seasonal space heating eff. class		A++		
		A Condition (-7°CDB/-8°CWB)	Cdh (Degradation heating)		1.0		
			COPd		1.97		
			Pdh	kW	5.3		
			PERd	%	79		
		B Condition (2°CDB/1°CWB)	Cdh (Degradation heating)		1.0		
			COPd		3.23		
			Pdh	kW	3.3		
			PERd	%	129		
		C Condition (7°CDB/6°CWB)	Cdh (Degradation heating)		1.0		
			COPd		4.40		
			Pdh	kW	3.0		
			PERd	%	176		
		D Condition (12°CDB/11°CWB)	Cdh (Degradation heating)		1.0		
			COPd		6.10		
			Pdh	kW	3.3		
			PERd	%	244		
		Tol (temperature operating limit)	COPd		1.37		
			Pdh	kW	4.0		
			PERd	%	55		
			TOL	°C	-10		
			WTOL	°C	55		
		Rated heat output supplementary capacity	Psup (at Tdesign - 10°C)		kW		
Tbiv (bivalent temperature)	COPd		1.97				
	Pdh	kW	5.3				
	PERd	%	79				
	Tbiv	°C	-7				
Cold climate water outlet 55°C	General	Annual energy consumption	kWh	4,468			
		ηs (Seasonal space heating efficiency)	%	107			
		Prated at -22°C	kW	5.0			
Warm climate water outlet 55°C	General	Annual energy consumption	kWh	1,660			
		ηs (Seasonal space heating efficiency)	%	148			
		Prated at 2°C	kW	4.7			

## 2 Specifications

CONNECTABLE INDOOR UNITS			EHVX04S18D3V/ERGA04DV		EHVX04S23D3V/ERGA04DV		
Space heating	Average climate water outlet 35°C	General	SCOP		4.48		
			Annual energy consumption	kWh	2,766		
			ηs (Seasonal space heating efficiency)	%	176		
			Prated at -10°C	kW	6.0		
			Seasonal space heating eff. class		A++ (3) / A+++ (4)		
		A Condition (-7°CDB/-8°CWB)	COPd		2.90		
			Pdh	kW	5.5		
			PERd	%	116		
		B Condition (2°CDB/1°CWB)	Cdh (Degradation heating)		1.0		
			COPd		4.33		
			Pdh	kW	3.3		
		C Condition (7°CDB/6°CWB)	Cdh (Degradation heating)		1.0		
			COPd		6.19		
			Pdh	kW	3.2		
		D Condition (12°CDB/11°CWB)	Cdh (Degradation heating)		1.0		
	COPd		7.78				
	Pdh		kW	3.3			
	Tol (temperature operating limit)	PERd		%		173	
		TOL		°C		-10	
		WTOL		°C		35	
		COPd				2.56	
		Pdh		kW		5.2	
	Tbiv (bivalent temperature)	PERd		%		102	
		COPd				2.90	
		Pdh		kW		5.5	
		Tbiv		°C		-7	
	Rated heat output supplementary capacity	PERd		%		248	
Psup (at Tdesign - 10°C)		kW		0.8			
Cold climate water outlet 35°C	General	Annual energy consumption	kWh	3,230			
		ηs (Seasonal space heating efficiency)	%	150			
		Prated at -22°C	kW	5.0			
		Qhe Annual energy consumption (GCV)	Gj	-			
Warm climate water outlet 35°C	General	Annual energy consumption	kWh	1,139			
		ηs (Seasonal space heating efficiency)	%	241			
		Prated at 2°C	kW	5.2			
Space heating general	Air to water unit	Rated airflow (outdoor)		m³/h	2,280.0		
	Brine/water to water unit	Rated water/brine flow		m³/h	0.0		
	Other	Capacity control			Inverter		
		Pck (Crankcase heater mode)		kW	0.000		
		Poff (Off mode)		kW	0.010		
		Psb (Standby mode)		kW	0.010		
	Pto (Thermostat off)		kW	0.010			
	Integrated supplement ary heater	Psup		kW	3.0		

## 2 Specifications

2

CONNECTABLE INDOOR UNITS				EHVX04S18D3V/ERGA04DV		EHVX04S23D3V/ERGA04DV		
Domestic hot water heating	General	Declared load profile		L		XL		
		Function to fix water heating during off peak hours		Yes				
	Average climate	AEC (Annual electricity consumption)		kWh	897		1,243	
		η <sub>wh</sub> (water heating efficiency)		%	-		134	
		Q <sub>fuel</sub> (Daily fuel consumption)		kWh	4.080		5.650	
		Water heating energy efficiency class		A+				
	Cold climate	AEC (Annual electricity consumption)		kWh	1,043		1,455	
		η <sub>wh</sub> (water heating efficiency)		%	98		116	
		Q <sub>elec</sub> (Daily electricity consumption)		kWh	4.740		6.610	
	Warm climate	AEC (Annual electricity consumption)		kWh	740		1,017	
η <sub>wh</sub> (water heating efficiency)		%	139		166			
Q <sub>elec</sub> (Daily electricity consumption)		kWh	3.360		4.620			
Heating capacity	Nom.		kW	4.30 (1) / 4.20 (2)				
Cooling capacity	Nom.		kW	5.56 (1) / 4.37 (2)				
Power input	Heating	Nom.		kW	0.850 (1) / 1.16 (2)			
	Cooling	Nom.		kW	0.940 (1) / 1.14 (2)			
	Domestic hot water from 10°C to 50°C	Nom.		kWh	2.48		3.01	
COP				5.10 (1) / 3.62 (2)				
EER				5.94 (1) / 3.84 (2)				
Pump	Nominal ESP unit	Cooling		kPa	54.6 (1) / 59.4 (2)			
		Heating		kPa	59.6 (1) / 59.9 (2)			
Water side Heat exchanger	Water flow rate	Cooling	Nom.	l/min	15.9 (1) / 12.5 (2)			
		Heating	Nom.	l/min	12.3 (1) / 12.0 (2)			
General	Supplier/Manufacturer details	Name and address		Daikin Europe N.V. - Zandvoordestraat 300, 8400 Oostende, Belgium				
		Name or trademark		Daikin Europe N.V.				
	Product description	Air-to-water heat pump		Yes				
		Brine-to-water heat pump		No				
		Heat pump combination heater		No				
		Low-temperature heat pump		No				
		Supplementary heater integrated		Yes				
Water-to-water heat pump		No						
LW(A) Sound power level (according to EN14825)	Indoor		dB(A)	42				
LW(A) Sound power level (according to EN14825)	Outdoor		dB(A)	58				
Sound condition Ecodesign and energy label				Sound power in heating mode, measured according to the EN12102 under conditions of the EN14825				
Heat up time from 10°C to 50°C			hr	1h28min		1h40min		

### Notes

- (1) Condition 1: cooling Ta 35°C - LWE 18°C (DT = 5°C); heating Ta DB/WB 7°C/6°C - LWC 35°C (DT = 5°C)
- (2) Condition 2: cooling Ta 35°C - LWE 7°C (DT = 5°C); heating Ta DB/WB 7°C/6°C - LWC 45°C (DT = 5°C)
- (3) According to EU811/2013 - lay out 2015
- (4) According to EU811/2013 - lay out 2019

## 2 Specifications

CONNECTABLE INDOOR UNITS				EHVX04S18D3VG/ERGA04DV		EHVX04S23D3VG/ERGA04DV	
2-12 Capacity and Power input							
Space heating	Average climate water outlet 55°C	General	SCOP		3.26		
			Annual energy consumption	kWh	3,806		
			ηs (Seasonal space heating efficiency)	%	127		
			Prated at -10°C	kW	6.0		
			Seasonal space heating eff. class		A++		
		A Condition (-7°CDB/-8°CWB)	Cdh (Degradation heating)		1.0		
			COPd		1.97		
			Pdh	kW	5.3		
			PERd	%	79		
		B Condition (2°CDB/1°CWB)	Cdh (Degradation heating)		1.0		
			COPd		3.23		
			Pdh	kW	3.3		
			PERd	%	129		
		C Condition (7°CDB/6°CWB)	Cdh (Degradation heating)		1.0		
			COPd		4.40		
	Pdh		kW	3.0			
	PERd		%	176			
	D Condition (12°CDB/11°CWB)	Cdh (Degradation heating)		1.0			
		COPd		6.10			
		Pdh	kW	3.3			
		PERd	%	244			
	Tol (temperature operating limit)	COPd		1.37			
		Pdh	kW	4.0			
		PERd	%	55			
		TOL	°C	-10			
		WTOL	°C	55			
	Rated heat output supplementary capacity	Psup (at Tdesign - 10°C)	kW	2.0			
Tbiv (bivalent temperature)		COPd		1.97			
	Pdh	kW	5.3				
	PERd	%	79				
	Tbiv	°C	-7				
Cold climate water outlet 55°C	General	Annual energy consumption	kWh	4,468			
		ηs (Seasonal space heating efficiency)	%	107			
		Prated at -22°C	kW	5.0			
Warm climate water outlet 55°C	General	Annual energy consumption	kWh	1,660			
		ηs (Seasonal space heating efficiency)	%	148			
		Prated at 2°C	kW	4.7			

## 2 Specifications

CONNECTABLE INDOOR UNITS				EHVX04S18D3VG/ERGA04DV		EHVX04S23D3VG/ERGA04DV	
Space heating	Average climate water outlet 35°C	General	SCOP		4.48		
			Annual energy consumption	kWh	2,766		
			ηs (Seasonal space heating efficiency)	%	176		
			Prated at -10°C	kW	6.0		
			Seasonal space heating eff. class		A++ (3) / A+++ (4)		
		A Condition (-7°CDB/-8°CWB)	COPd		2.90		
			Pdh	kW	5.5		
			PERd	%	116		
		B Condition (2°CDB/1°CWB)	Cdh (Degradation heating)		1.0		
			COPd		4.33		
			Pdh	kW	3.3		
			PERd	%	173		
		C Condition (7°CDB/6°CWB)	Cdh (Degradation heating)		1.0		
			COPd		6.19		
			Pdh	kW	3.2		
			PERd	%	248		
		D Condition (12°CDB/11°CWB)	Cdh (Degradation heating)		1.0		
			COPd		7.78		
	Pdh		kW	3.3			
	PERd		%	311			
	Tol (temperature operating limit)	COPd		2.56			
		Pdh	kW	5.2			
		PERd	%	102			
		TOL	°C	-10			
WTOL		°C	35				
Tbiv (bivalent temperature)	COPd		2.90				
	Pdh	kW	5.5				
	PERd	%	116				
	Tbiv	°C	-7				
Rated heat output supplementary capacity	Psup (at Tdesign - 10°C)	kW	0.8				
Cold climate water outlet 35°C	General	Annual energy consumption	kWh	3,230			
		ηs (Seasonal space heating efficiency)	%	150			
		Prated at -22°C	kW	5.0			
		Qhe Annual energy consumption (GCV)	Gj	-			
Warm climate water outlet 35°C	General	Annual energy consumption	kWh	1,139			
		ηs (Seasonal space heating efficiency)	%	241			
		Prated at 2°C	kW	5.2			
Space heating general	Air to water unit	Rated airflow (outdoor)		m³/h	2,280.0		
	Brine/water to water unit	Rated water/brine flow		m³/h	0.0		
	Other	Capacity control			Inverter		
		Pck (Crankcase heater mode)		kW	0.000		
		Poff (Off mode)		kW	0.010		
		Psb (Standby mode)		kW	0.010		
	Pto (Thermostat off)		kW	0.010			
Integrated supplement any heater	Psup		kW	3.0			

## 2 Specifications

CONNECTABLE INDOOR UNITS				EHVX04S18D3VG/ERGA04DV		EHVX04S23D3VG/ERGA04DV		
Domestic hot water heating	General	Declared load profile		L		XL		
		Function to fix water heating during off peak hours		Yes				
	Average climate	AEC (Annual electricity consumption)		kWh	897		1,243	
		η <sub>wh</sub> (water heating efficiency)		%	-		134	
		Q <sub>fuel</sub> (Daily fuel consumption)		kWh	4.080		5.650	
		Water heating energy efficiency class		A+				
	Cold climate	AEC (Annual electricity consumption)		kWh	1,043		1,455	
		η <sub>wh</sub> (water heating efficiency)		%	98		116	
		Q <sub>elec</sub> (Daily electricity consumption)		kWh	4.740		6.610	
	Warm climate	AEC (Annual electricity consumption)		kWh	740		1,017	
η <sub>wh</sub> (water heating efficiency)		%	139		166			
Q <sub>elec</sub> (Daily electricity consumption)		kWh	3.360		4.620			
Heating capacity	Nom.		kW	4.30 (1) / 4.20 (2)				
Cooling capacity	Nom.		kW	5.56 (1) / 4.37 (2)				
Power input	Heating	Nom.		kW	0.850 (1) / 1.16 (2)			
	Cooling	Nom.		kW	0.940 (1) / 1.14 (2)			
	Domestic hot water from 10°C to 50°C	Nom.		kWh	2.48		3.01	
COP				5.10 (1) / 3.62 (2)				
EER				5.94 (1) / 3.84 (2)				
Pump	Nominal ESP unit	Cooling		kPa	54.6 (1) / 59.4 (2)			
		Heating		kPa	59.6 (1) / 59.9 (2)			
Water side Heat exchanger	Water flow rate	Cooling	Nom.	l/min	15.9 (1) / 12.5 (2)			
		Heating	Nom.	l/min	12.3 (1) / 12.0 (2)			
General	Supplier/Manufacturer details	Name and address		Daikin Europe N.V. - Zandvoordestraat 300, 8400 Oostende, Belgium				
		Name or trademark		Daikin Europe N.V.				
	Product description	Air-to-water heat pump		Yes				
		Brine-to-water heat pump		No				
		Heat pump combination heater		No				
		Low-temperature heat pump		No				
		Supplementary heater integrated		Yes				
LW(A) Sound power level (according to EN14825)	Indoor		dB(A)	42				
	Outdoor		dB(A)	58				
Sound condition Ecodesign and energy label				Sound power in heating mode, measured according to the EN12102 under conditions of the EN14825				
Heat up time from 10°C to 50°C			hr	1h28min		1h40min		
EHVX04S18D3VG/ERGA04DV			EHVX04S23D3VG/ERGA04DV					

### Notes

- (1) Condition 1: cooling Ta 35°C - LWE 18°C (DT = 5°C); heating Ta DB/WB 7°C/6°C - LWC 35°C (DT = 5°C)
- (2) Condition 2: cooling Ta 35°C - LWE 7°C (DT = 5°C); heating Ta DB/WB 7°C/6°C - LWC 45°C (DT = 5°C)
- (3) According to EU811/2013 - lay out 2015
- (4) According to EU811/2013 - lay out 2019

## 2 Specifications

CONNECTABLE INDOOR UNITS				EHVX04S18D6 V/ERGA04DV	EHVX04S23D6 V/ERGA04DV	EHVX08S18D6 V/ERGA06DV	EHVX08S23D6 V/ERGA06DV	EHVX08S18D6 V/ERGA08DV	EHVX08S23D6 V/ERGA08DV		
<b>2-13 Capacity and Power input</b>											
Space heating	Average climate water outlet 55°C	General	SCOP		3.26			3.32			
			Annual energy consumption	kWh	3,806		4,441		4,975		
			$\eta_s$ (Seasonal space heating efficiency)	%	127			130			
			Prated at -10°C	kW	6.0		7.0		8.0		
			Seasonal space heating eff. class		A++						
		A Condition (-7°CDB/-8°CWB)	Cdh (Degradation heating)		1.0						
			COPd		1.97		1.98		1.96		
			Pdh	kW	5.3		5.9		6.9		
			PERd	%	79			78			
		B Condition (2°CDB/1°CWB)	Cdh (Degradation heating)		1.0						
			COPd		3.23		3.16		3.20		
			Pdh	kW	3.3		3.9		4.4		
			PERd	%	129		126		128		
		C Condition (7°CDB/6°CWB)	Cdh (Degradation heating)		1.0						
			COPd		4.40		4.49		4.64		
			Pdh	kW	3.0			3.3			
			PERd	%	176		180		186		
		D Condition (12°CDB/11°CWB)	Cdh (Degradation heating)		1.0						
			COPd		6.10			6.22			
			Pdh	kW	3.3			4.1			
	PERd		%	244			249				
	Tol (temperature operating limit)	COPd		1.37		1.53		1.64			
		Pdh	kW	4.0		5.4		7.1			
		PERd	%	55		61		66			
		TOL	°C	-10							
		WTOL	°C	55							
	Rated heat output supplementary capacity	Psup (at Tdesign - 10°C)		kW		2.0		1.6		1.0	
		Tbiv (bivalent temperature)	COPd		1.97		2.12		1.90		
			Pdh	kW	5.3		6.1		7.5		
			PERd	%	79		85		76		
	Tbiv		°C	-7		-6		-8			
	Cold climate water outlet 55°C	General	Annual energy consumption	kWh	4,468		5,300		6,886		
$\eta_s$ (Seasonal space heating efficiency)			%	107		109		112			
Prated at -22°C			kW	5.0		6.0		8.0			
Warm climate water outlet 55°C	General	Annual energy consumption	kWh	1,660		1,858		2,213			
		$\eta_s$ (Seasonal space heating efficiency)	%	148		158		161			
		Prated at 2°C	kW	4.7		5.6		6.8			

2



## 2 Specifications

CONNECTABLE INDOOR UNITS				EHVX04S18D6 V/ERGA04DV	EHVX04S23D6 V/ERGA04DV	EHVX08S18D6 V/ERGA06DV	EHVX08S23D6 V/ERGA06DV	EHVX08S18D6 V/ERGA08DV	EHVX08S23D6 V/ERGA08DV	
Space heating	Average climate water outlet 35°C	General	SCOP	4.48		4.47		4.56		
			Annual energy consumption	kWh	2,766		3,233		3,625	
			ηs (Seasonal space heating efficiency)	%	176				179	
			Prated at -10°C	kW	6.0		7.0		8.0	
			Seasonal space heating eff. class		A++ (3) / A+++ (4)					
		A Condition (-7°CDB/-8°CWB)	COPd	2.90		2.86		2.77		
			Pdh	kW	5.5		6.0		7.0	
			PERd	%	116		114		111	
		B Condition (2°CDB/1°CWB)	Cdh (Degradation heating)			1.0				
			COPd	4.33		4.25		4.35		
			Pdh	kW	3.3		3.9		4.2	
		C Condition (7°CDB/6°CWB)	Cdh (Degradation heating)			1.0				
			COPd	6.19		6.30		6.49		
			Pdh	kW	3.2		3.3			
		D Condition (12°CDB/11°CWB)	Cdh (Degradation heating)			1.0				
	COPd				7.78		8.52			
	Pdh		kW	3.3		3.9				
	Tol (temperature operating limit)	PERd	%	311				341		
		COPd	2.56		2.49		2.41			
		Pdh	kW	5.2		6.0		6.9		
		PERd	%	102		100		96		
	Tbiv (bivalent temperature)	TOL	°C			-10				
		WTOL	°C			35				
		COPd	2.90		2.49		2.66			
		Pdh	kW	5.5		6.0		7.5		
	Rated heat output supplementary capacity	PERd	%	116		100		106		
		Tbiv	°C	-7		-6		-8		
		Psup (at Tdesign - 10°C)	kW	0.8		1.0		1.1		
	Cold climate water outlet 35°C	General	Annual energy consumption	kWh	3,230		3,749		5,034	
			ηs (Seasonal space heating efficiency)	%	150		155		154	
Prated at -22°C			kW	5.0		6.0		8.0		
Qhe Annual energy consumption (GCV)			Gj							
Warm climate water outlet 35°C	General	Annual energy consumption	kWh	1,139		1,276		1,437		
		ηs (Seasonal space heating efficiency)	%	241		248		257		
		Prated at 2°C	kW	5.2		6.0		7.0		
Space heating general	Air to water unit	Rated airflow (outdoor)	m³/h	2,280.0		2,520.0		2,770.0		
	Brine/water to water unit	Rated water/brine flow	m³/h	0.0						
	Other	Capacity control			Inverter					
		Pck (Crankcase heater mode)	kW	0.000						
		Poff (Off mode)	kW	0.010						
		Psb (Standby mode)	kW	0.010						
Pto (Thermostat off)	kW	0.010								
Integrated supplementary heater	Psup	kW	6.0							

## 2 Specifications

CONNECTABLE INDOOR UNITS				EHVX04S18D6 V/ERGA04DV	EHVX04S23D6 V/ERGA04DV	EHVX08S18D6 V/ERGA06DV	EHVX08S23D6 V/ERGA06DV	EHVX08S18D6 V/ERGA08DV	EHVX08S23D6 V/ERGA08DV	
Domestic hot water heating	General	Declared load profile		L	XL	L	XL	L	XL	
		Function to fix water heating during off peak hours		Yes						
	Average climate	AEC (Annual electricity consumption)		kWh	897	1,243	897	1,243	897	1,243
		η <sub>wh</sub> (water heating efficiency)		%	-	134	-	134	-	134
		Q <sub>fuel</sub> (Daily fuel consumption)		kWh	4.080	5.650	4.080	5.650	4.080	5.650
		Water heating energy efficiency class		A+						
	Cold climate	AEC (Annual electricity consumption)		kWh	1,043	1,455	1,043	1,455	1,043	1,455
		η <sub>wh</sub> (water heating efficiency)		%	98	116	98	116	98	116
		Q <sub>elec</sub> (Daily electricity consumption)		kWh	4.740	6.610	4.740	6.610	4.740	6.610
	Warm climate	AEC (Annual electricity consumption)		kWh	740	1,017	740	1,017	740	1,017
η <sub>wh</sub> (water heating efficiency)		%	139	166	139	166	139	166		
Q <sub>elec</sub> (Daily electricity consumption)		kWh	3.360	4.620	3.360	4.620	3.360	4.620		
Heating capacity	Nom.		kW	4.30 (1) / 4.20 (2)		6.00 (1) / 5.90 (2)		7.50 (1) / 7.50 (2)		
Cooling capacity	Nom.		kW	5.56 (1) / 4.37 (2)		5.96 (1) / 4.87 (2)		6.25 (1) / 5.35 (2)		
Power input	Heating	Nom.		kW	0.850 (1) / 1.16 (2)		1.24 (1) / 1.69 (2)		1.63 (1) / 2.14 (2)	
	Cooling	Nom.		kW	0.940 (1) / 1.14 (2)		1.06 (1) / 1.33 (2)		1.16 (1) / 1.51 (2)	
	Domestic hot water from 10°C to 50°C	Nom.		kWh	2.48	3.01	2.48	3.01	2.48	3.01
COP				5.10 (1) / 3.62 (2)		4.85 (1) / 3.50 (2)		4.60 (1) / 3.50 (2)		
EER				5.94 (1) / 3.84 (2)		5.61 (1) / 3.67 (2)		5.40 (1) / 3.54 (2)		
Pump	Nominal ESP unit	Cooling		kPa	54.6 (1) / 59.4 (2)		52.6 (1) / 57.5 (2)		51.1 (1) / 55.5 (2)	
		Heating		kPa	59.6 (1) / 59.9 (2)		52.4 (1) / 52.9 (2)		43.3 (1) / 43.3 (2)	
Water side Heat exchanger	Water flow rate	Cooling	Nom.	l/min	15.9 (1) / 12.5 (2)		17.1 (1) / 14.0 (2)		17.9 (1) / 15.3 (2)	
		Heating	Nom.	l/min	12.3 (1) / 12.0 (2)		17.2 (1) / 16.9 (2)		21.5 (1) / 21.5 (2)	
General	Supplier/Manufacturer details	Name and address			Daikin Europe N.V. - Zandvoordestraat 300, 8400 Oostende, Belgium					
		Name or trademark			Daikin Europe N.V.					
	Product description	Air-to-water heat pump			Yes					
		Brine-to-water heat pump			No					
		Heat pump combination heater			No					
		Low-temperature heat pump			No					
		Supplementary heater integrated			Yes					
Water-to-water heat pump			No							
LW(A) Sound power level (according to EN14825)	Indoor		dB(A)	42						
LW(A) Sound power level (according to EN14825)	Outdoor		dB(A)	58		60		62		
Sound condition Ecodesign and energy label				Sound power in heating mode, measured according to the EN12102 under conditions of the EN14825						
Heat up time from 10°C to 50°C				hr	1h28min	1h40min	1h28min	1h40min	1h28min	1h40min

### Notes

- (1) Condition 1: cooling Ta 35°C - LWE 18°C (DT = 5°C); heating Ta DB/WB 7°C/6°C - LWC 35°C (DT = 5°C)
- (2) Condition 2: cooling Ta 35°C - LWE 7°C (DT = 5°C); heating Ta DB/WB 7°C/6°C - LWC 45°C (DT = 5°C)
- (3) According to EU811/2013 - lay out 2015
- (4) According to EU811/2013 - lay out 2019

## 2 Specifications

CONNECTABLE INDOOR UNITS				EHVX04S18D6 VG/ERGA04DV	EHVX04S23D6 VG/ERGA04DV	EHVX08S18D6 VG/ERGA06DV	EHVX08S23D6 VG/ERGA06DV	EHVX08S18D6 VG/ERGA08DV	EHVX08S23D6 VG/ERGA08DV		
<b>2-14 Capacity and Power input</b>											
Space heating	Average climate water outlet 55°C	General	SCOP		3.26			3.32			
			Annual energy consumption	kWh	3,806		4,441		4,975		
			ηs (Seasonal space heating efficiency)	%	127			130			
			Prated at -10°C	kW	6.0		7.0		8.0		
			Seasonal space heating eff. class		A++						
		A Condition (-7°CDB/-8°CWB)	Cdh (Degradation heating)		1.0						
			COPd		1.97		1.98		1.96		
			Pdh	kW	5.3		5.9		6.9		
			PERd	%	79			78			
		B Condition (2°CDB/1°CWB)	Cdh (Degradation heating)		1.0						
			COPd		3.23		3.16		3.20		
			Pdh	kW	3.3		3.9		4.4		
			PERd	%	129		126		128		
		C Condition (7°CDB/6°CWB)	Cdh (Degradation heating)		1.0						
			COPd		4.40		4.49		4.64		
			Pdh	kW	3.0			3.3			
			PERd	%	176		180		186		
		D Condition (12°CDB/11°CWB)	Cdh (Degradation heating)		1.0						
			COPd		6.10			6.22			
			Pdh	kW	3.3			4.1			
	PERd		%	244			249				
	Tol (temperature operating limit)	COPd		1.37		1.53		1.64			
		Pdh	kW	4.0		5.4		7.1			
		PERd	%	55		61		66			
		TOL	°C	-10							
		WTOL	°C	55							
	Rated heat output supplementary capacity	Psup (at Tdesign - 10°C)		kW		2.0		1.6		1.0	
		Tbiv (bivalent temperature)	COPd		1.97		2.12		1.90		
			Pdh	kW	5.3		6.1		7.5		
			PERd	%	79		85		76		
	Tbiv		°C	-7		-6		-8			
	Cold climate water outlet 55°C	General	Annual energy consumption	kWh	4,468		5,300		6,886		
ηs (Seasonal space heating efficiency)			%	107		109		112			
Prated at -22°C			kW	5.0		6.0		8.0			
Warm climate water outlet 55°C	General	Annual energy consumption	kWh	1,660		1,858		2,213			
		ηs (Seasonal space heating efficiency)	%	148		158		161			
		Prated at 2°C	kW	4.7		5.6		6.8			

## 2 Specifications

CONNECTABLE INDOOR UNITS				EHVX04S18D6 VG/ERGA04DV	EHVX04S23D6 VG/ERGA04DV	EHVX08S18D6 VG/ERGA06DV	EHVX08S23D6 VG/ERGA06DV	EHVX08S18D6 VG/ERGA08DV	EHVX08S23D6 VG/ERGA08DV		
Space heating	Average climate water outlet 35°C	General	SCOP		4.48		4.47		4.56		
			Annual energy consumption	kWh	2,766		3,233		3,625		
			$\eta_s$ (Seasonal space heating efficiency)	%	176				179		
			Prated at -10°C	kW	6.0		7.0		8.0		
			Seasonal space heating eff. class		A++ (3) / A+++ (4)						
		A Condition (-7°CDB/-8°CWB)	COPd		2.90		2.86		2.77		
			Pdh	kW	5.5		6.0		7.0		
			PERd	%	116		114		111		
		B Condition (2°CDB/1°CWB)	Cdh (Degradation heating)				1.0				
			COPd		4.33		4.25		4.35		
			Pdh	kW	3.3		3.9		4.2		
		C Condition (7°CDB/6°CWB)	Cdh (Degradation heating)				1.0				
			COPd		6.19		6.30		6.49		
			Pdh	kW	3.2				3.3		
		D Condition (12°CDB/11°CWB)	Cdh (Degradation heating)				1.0				
	COPd				7.78		8.52				
	Pdh		kW			3.3		3.9			
	Tol (temperature operating limit)	PERd				311		341			
		COPd		2.56		2.49		2.41			
		Pdh	kW	5.2		6.0		6.9			
		PERd	%	102		100		96			
	Tbiv (bivalent temperature)	TOL				-10					
		WTOL				35					
		COPd		2.90		2.49		2.66			
		Pdh	kW	5.5		6.0		7.5			
	Rated heat output supplementary capacity	PERd		116		100		106			
		Tbiv		°C		-7		-6			
Tbiv		°C		-7		-6					
Cold climate water outlet 35°C	Psup (at Tdesign - 10°C)		kW		0.8		1.0				
	Psup (at Tdesign - 10°C)		kW		0.8		1.1				
	Psup (at Tdesign - 10°C)		kW		0.8		1.1				
Warm climate water outlet 35°C	General	Annual energy consumption		kWh	1,139		1,276		1,437		
		$\eta_s$ (Seasonal space heating efficiency)	%	241		248		257			
		Prated at 2°C	kW	5.2		6.0		7.0			
		Qhe Annual energy consumption (GCV)		Gj							
Space heating general	Air to water unit	Rated airflow (outdoor)		m³/h	2,280.0		2,520.0		2,770.0		
	Brine/water to water unit	Rated water/brine flow		m³/h			0.0				
	Other	Capacity control		Inverter							
		Pck (Crankcase heater mode)		kW			0.000				
		Poff (Off mode)		kW			0.010				
		Psb (Standby mode)		kW			0.010				
Integrated supplement ary heater	Pto (Thermostat off)		kW			0.010					
	Psup		kW			6.0					

## 2 Specifications

CONNECTABLE INDOOR UNITS				EHVX04S18D6 VG/ERGA04DV	EHVX04S23D6 VG/ERGA04DV	EHVX08S18D6 VG/ERGA06DV	EHVX08S23D6 VG/ERGA06DV	EHVX08S18D6 VG/ERGA08DV	EHVX08S23D6 VG/ERGA08DV	
Domestic hot water heating	General	Declared load profile		L	XL	L	XL	L	XL	
		Function to fix water heating during off peak hours		Yes						
	Average climate	AEC (Annual electricity consumption)		kWh	897	1,243	897	1,243	897	1,243
		η <sub>wh</sub> (water heating efficiency)		%	-	134	-	134	-	134
		Q <sub>fuel</sub> (Daily fuel consumption)		kWh	4.080	5.650	4.080	5.650	4.080	5.650
		Water heating energy efficiency class		A+						
	Cold climate	AEC (Annual electricity consumption)		kWh	1,043	1,455	1,043	1,455	1,043	1,455
		η <sub>wh</sub> (water heating efficiency)		%	98	116	98	116	98	116
		Q <sub>elec</sub> (Daily electricity consumption)		kWh	4.740	6.610	4.740	6.610	4.740	6.610
	Warm climate	AEC (Annual electricity consumption)		kWh	740	1,017	740	1,017	740	1,017
η <sub>wh</sub> (water heating efficiency)		%	139	166	139	166	139	166		
Q <sub>elec</sub> (Daily electricity consumption)		kWh	3.360	4.620	3.360	4.620	3.360	4.620		
Heating capacity	Nom.		kW	4.30 (1) / 4.20 (2)		6.00 (1) / 5.90 (2)		7.50 (1) / 7.50 (2)		
Cooling capacity	Nom.		kW	5.56 (1) / 4.37 (2)		5.96 (1) / 4.87 (2)		6.25 (1) / 5.35 (2)		
Power input	Heating	Nom.		kW	0.850 (1) / 1.16 (2)		1.24 (1) / 1.69 (2)		1.63 (1) / 2.14 (2)	
	Cooling	Nom.		kW	0.940 (1) / 1.14 (2)		1.06 (1) / 1.33 (2)		1.16 (1) / 1.51 (2)	
	Domestic hot water from 10°C to 50°C	Nom.		kWh	2.48	3.01	2.48	3.01	2.48	3.01
COP				5.10 (1) / 3.62 (2)		4.85 (1) / 3.50 (2)		4.60 (1) / 3.50 (2)		
EER				5.94 (1) / 3.84 (2)		5.61 (1) / 3.67 (2)		5.40 (1) / 3.54 (2)		
Pump	Nominal ESP unit	Cooling	kPa	54.6 (1) / 59.4 (2)		52.6 (1) / 57.5 (2)		51.1 (1) / 55.5 (2)		
		Heating	kPa	59.6 (1) / 59.9 (2)		52.4 (1) / 52.9 (2)		43.3 (1) / 43.3 (2)		
Water side Heat exchanger	Water flow rate	Cooling	Nom.	l/min	15.9 (1) / 12.5 (2)		17.1 (1) / 14.0 (2)		17.9 (1) / 15.3 (2)	
		Heating	Nom.	l/min	12.3 (1) / 12.0 (2)		17.2 (1) / 16.9 (2)		21.5 (1) / 21.5 (2)	
General	Supplier/Manufacturer details	Name and address		Daikin Europe N.V. - Zandvoordestraat 300, 8400 Oostende, Belgium						
		Name or trademark		Daikin Europe N.V.						
	Product description	Air-to-water heat pump		Yes						
		Brine-to-water heat pump		No						
		Heat pump combination heater		No						
		Low-temperature heat pump		No						
		Supplementary heater integrated		Yes						
Water-to-water heat pump		No								
LW(A) Sound power level (according to EN14825)	Indoor		dB(A)	42						
LW(A) Sound power level (according to EN14825)	Outdoor		dB(A)	58		60		62		
Sound condition Ecodesign and energy label				Sound power in heating mode, measured according to the EN12102 under conditions of the EN14825						
Heat up time from 10°C to 50°C				hr	1h28min	1h40min	1h28min	1h40min	1h28min	1h40min

### Notes

- (1) Condition 1: cooling Ta 35°C - LWE 18°C (DT = 5°C); heating Ta DB/WB 7°C/6°C - LWC 35°C (DT = 5°C)
- (2) Condition 2: cooling Ta 35°C - LWE 7°C (DT = 5°C); heating Ta DB/WB 7°C/6°C - LWC 45°C (DT = 5°C)
- (3) According to EU811/2013 - lay out 2015
- (4) According to EU811/2013 - lay out 2019

## 2 Specifications

CONNECTABLE INDOOR UNITS				EHVX08S18D9W/ ERGA06DV	EHVX08S23D9W/ ERGA06DV	EHVX08S18D9W/ ERGA08DV	EHVX08S23D9W/ ERGA08DV		
<b>2-15 Capacity and Power input</b>									
Space heating	Average climate water outlet 55°C	General	SCOP		3.26		3.32		
			Annual energy consumption	kWh	4,441		4,975		
			$\eta_s$ (Seasonal space heating efficiency)	%	127		130		
			Prated at -10°C	kW	7.0		8.0		
			Seasonal space heating eff. class		A++				
		A Condition (-7°CDB/-8°CWB)	Cdh (Degradation heating)		1.0				
			COPd		1.98		1.96		
			Pdh	kW	5.9		6.9		
			PERd	%	79		78		
		B Condition (2°CDB/1°CWB)	Cdh (Degradation heating)		1.0				
			COPd		3.16		3.20		
			Pdh	kW	3.9		4.4		
			PERd	%	126		128		
		C Condition (7°CDB/6°CWB)	Cdh (Degradation heating)		1.0				
			COPd		4.49		4.64		
			Pdh	kW	3.0		3.3		
			PERd	%	180		186		
		D Condition (12°CDB/11°CWB)	Cdh (Degradation heating)		1.0				
			COPd		6.10		6.22		
			Pdh	kW	3.3		4.1		
			PERd	%	244		249		
		Tol (temperature operating limit)	COPd		1.53		1.64		
			Pdh	kW	5.4		7.1		
			PERd	%	61		66		
			TOL	°C	-10				
			WTOL	°C	55				
		Rated heat output supplementary capacity	Psup (at Tdesign - 10°C)		kW		1.6		1.0
Tbiv (bivalent temperature)	COPd		2.12		1.90				
	Pdh	kW	6.1		7.5				
	PERd	%	85		76				
	Tbiv	°C	-6		-8				
Cold climate water outlet 55°C	General	Annual energy consumption	kWh	5,300		6,886			
		$\eta_s$ (Seasonal space heating efficiency)	%	109		112			
		Prated at -22°C	kW	6.0		8.0			
Warm climate water outlet 55°C	General	Annual energy consumption	kWh	1,858		2,213			
		$\eta_s$ (Seasonal space heating efficiency)	%	158		161			
		Prated at 2°C	kW	5.6		6.8			

## 2 Specifications

CONNECTABLE INDOOR UNITS				EHVX08S18D9W/ ERGA06DV	EHVX08S23D9W/ ERGA06DV	EHVX08S18D9W/ ERGA08DV	EHVX08S23D9W/ ERGA08DV
Space heating	Average climate water outlet 35°C	General	SCOP		4.47		4.56
			Annual energy consumption	kWh	3,233		3,625
			ηs (Seasonal space heating efficiency)	%	176		179
			Prated at -10°C	kW	7.0		8.0
			Seasonal space heating eff. class		A++ (3) / A+++ (4)		
		A Condition (-7°CDB/-8°CWB)	COPd		2.86		2.77
			Pdh	kW	6.0		7.0
			PERd	%	114		111
		B Condition (2°CDB/1°CWB)	Cdh (Degradation heating)		1.0		
			COPd		4.25		4.35
			Pdh	kW	3.9		4.2
		C Condition (7°CDB/6°CWB)	Cdh (Degradation heating)		1.0		
			COPd		6.30		6.49
			Pdh	kW	3.2		3.3
		D Condition (12°CDB/11°CWB)	Cdh (Degradation heating)		1.0		
			COPd		7.78		8.52
			Pdh	kW	3.3		3.9
		Tol (temperature operating limit)	COPd		2.49		2.41
			Pdh	kW	6.0		6.9
			PERd	%	100		96
	TOL		°C			-10	
	Tbiv (bivalent temperature)	COPd		2.49		2.66	
		Pdh	kW	6.0		7.5	
		PERd	%	100		106	
		Tbiv	°C	-6		-8	
	Rated heat output supplementary capacity	Psup (at Tdesign - 10°C)		1.0		1.1	
	Cold climate water outlet 35°C	General	Annual energy consumption	kWh	3,749		5,034
			ηs (Seasonal space heating efficiency)	%	155		154
			Prated at -22°C	kW	6.0		8.0
			Qhe Annual energy consumption (GCV)	Gj			-
	Warm climate water outlet 35°C	General	Annual energy consumption	kWh	1,276		1,437
ηs (Seasonal space heating efficiency)			%	248		257	
Prated at 2°C			kW	6.0		7.0	
Space heating general	Air to water unit	Rated airflow (outdoor)		m³/h	2,520.0		2,770.0
	Brine/water to water unit	Rated water/brine flow		m³/h	0.0		
	Other	Capacity control			Inverter		
		Pck (Crankcase heater mode)		kW	0.000		
		Poff (Off mode)		kW	0.010		
		Psb (Standby mode)		kW	0.010		
	Pto (Thermostat off)		kW	0.010			
Integrated supplementary heater	Psup		kW	9.0			

## 2 Specifications

CONNECTABLE INDOOR UNITS				EHVX08S18D9W/ ERGA06DV	EHVX08S23D9W/ ERGA06DV	EHVX08S18D9W/ ERGA08DV	EHVX08S23D9W/ ERGA08DV	
Domestic hot water heating	General	Declared load profile		L	XL	L	XL	
		Function to fix water heating during off peak hours		Yes				
	Average climate	AEC (Annual electricity consumption)		kWh	897	1,243	897	1,243
		η <sub>wh</sub> (water heating efficiency)		%	-	134	-	134
		Q <sub>fuel</sub> (Daily fuel consumption)		kWh	4.080	5.650	4.080	5.650
		Water heating energy efficiency class		A+				
	Cold climate	AEC (Annual electricity consumption)		kWh	1,043	1,455	1,043	1,455
		η <sub>wh</sub> (water heating efficiency)		%	98	116	98	116
		Q <sub>elec</sub> (Daily electricity consumption)		kWh	4.740	6.610	4.740	6.610
	Warm climate	AEC (Annual electricity consumption)		kWh	740	1,017	740	1,017
η <sub>wh</sub> (water heating efficiency)		%	139	166	139	166		
Q <sub>elec</sub> (Daily electricity consumption)		kWh	3.360	4.620	3.360	4.620		
Heating capacity	Nom.		kW	6.00 (1) / 5.90 (2)		7.50 (1) / 7.50 (2)		
Cooling capacity	Nom.		kW	5.96 (1) / 4.87 (2)		6.25 (1) / 5.35 (2)		
Power input	Heating	Nom.		kW	1.24 (1) / 1.69 (2)		1.63 (1) / 2.14 (2)	
	Cooling	Nom.		kW	1.06 (1) / 1.33 (2)		1.16 (1) / 1.51 (2)	
	Domestic hot water from 10°C to 50°C	Nom.		kWh	2.48	3.01	2.48	3.01
COP				4.85 (1) / 3.50 (2)		4.60 (1) / 3.50 (2)		
EER				5.61 (1) / 3.67 (2)		5.40 (1) / 3.54 (2)		
Pump	Nominal ESP unit	Cooling		kPa	52.6 (1) / 57.5 (2)		51.1 (1) / 55.5 (2)	
		Heating		kPa	52.4 (1) / 52.9 (2)		43.3 (1) / 43.3 (2)	
Water side Heat exchanger	Water flow rate	Cooling	Nom.	l/min	17.1 (1) / 14.0 (2)		17.9 (1) / 15.3 (2)	
		Heating	Nom.	l/min	17.2 (1) / 16.9 (2)		21.5 (1) / 21.5 (2)	
General	Supplier/Manufacturer details	Name and address		Daikin Europe N.V. - Zandvoordestraat 300, 8400 Oostende, Belgium				
		Name or trademark		Daikin Europe N.V.				
	Product description	Air-to-water heat pump		Yes				
		Brine-to-water heat pump		No				
		Heat pump combination heater		No				
		Low-temperature heat pump		No				
		Supplementary heater integrated		Yes				
Water-to-water heat pump		No						
LW(A) Sound power level (according to EN14825)	Indoor		dB(A)	42				
LW(A) Sound power level (according to EN14825)	Outdoor		dB(A)	60		62		
Sound condition Ecodesign and energy label				Sound power in heating mode, measured according to the EN12102 under conditions of the EN14825				
Heat up time from 10°C to 50°C				hr	1h28min	1h40min	1h28min	1h40min

### Notes

- (1) Condition 1: cooling Ta 35°C - LWE 18°C (DT = 5°C); heating Ta DB/WB 7°C/6°C - LWC 35°C (DT = 5°C)
- (2) Condition 2: cooling Ta 35°C - LWE 7°C (DT = 5°C); heating Ta DB/WB 7°C/6°C - LWC 45°C (DT = 5°C)
- (3) According to EU811/2013 - lay out 2015
- (4) According to EU811/2013 - lay out 2019



## 2 Specifications

CONNECTABLE INDOOR UNITS				EHVX08S18D9WG/ ERGA06DV	EHVX08S23D9WG/ ERGA06DV	EHVX08S18D9WG/ ERGA08DV	EHVX08S23D9WG/ ERGA08DV	
<b>2-16 Capacity and Power input</b>								
Space heating	Average climate water outlet 55°C	General	SCOP		3.26		3.32	
			Annual energy consumption	kWh	4,441		4,975	
			ηs (Seasonal space heating efficiency)	%	127		130	
			Prated at -10°C	kW	7.0		8.0	
			Seasonal space heating eff. class				A++	
		A Condition (-7°CDB/-8°CWB)	Cdh (Degradation heating)			1.0		
			COPd			1.98	1.96	
			Pdh	kW		5.9	6.9	
			PERd	%		79	78	
		B Condition (2°CDB/1°CWB)	Cdh (Degradation heating)			1.0		
			COPd			3.16	3.20	
			Pdh	kW		3.9	4.4	
			PERd	%		126	128	
		C Condition (7°CDB/6°CWB)	Cdh (Degradation heating)			1.0		
			COPd			4.49	4.64	
			Pdh	kW		3.0	3.3	
			PERd	%		180	186	
		D Condition (12°CDB/11°CWB)	Cdh (Degradation heating)			1.0		
			COPd			6.10	6.22	
			Pdh	kW		3.3	4.1	
			PERd	%		244	249	
	Tol (temperature operating limit)	COPd			1.53	1.64		
		Pdh	kW		5.4	7.1		
		PERd	%		61	66		
		TOL	°C		-10			
		WTOL	°C		55			
	Rated heat output supplementary capacity	Psup (at Tdesign - 10°C)		kW	1.6		1.0	
		Tbiv (bivalent temperature)	COPd		2.12		1.90	
			Pdh	kW	6.1		7.5	
			PERd	%	85		76	
		Tbiv	°C	-6		-8		
	Cold climate water outlet 55°C	General	Annual energy consumption	kWh	5,300		6,886	
			ηs (Seasonal space heating efficiency)	%	109		112	
Prated at -22°C			kW	6.0		8.0		
Warm climate water outlet 55°C	General	Annual energy consumption	kWh	1,858		2,213		
		ηs (Seasonal space heating efficiency)	%	158		161		
		Prated at 2°C	kW	5.6		6.8		

## 2 Specifications

CONNECTABLE INDOOR UNITS				EHVX08S18D9WG/ ERGA06DV	EHVX08S23D9WG/ ERGA06DV	EHVX08S18D9WG/ ERGA08DV	EHVX08S23D9WG/ ERGA08DV	
Space heating	Average climate water outlet 35°C	General	SCOP		4.47		4.56	
			Annual energy consumption	kWh	3,233		3,625	
			ηs (Seasonal space heating efficiency)	%	176		179	
			Prated at -10°C	kW	7.0		8.0	
			Seasonal space heating eff. class		A++ (3) / A+++ (4)			
		A Condition (-7°CDB/-8°CWB)	COPd		2.86		2.77	
			Pdh	kW	6.0		7.0	
			PERd	%	114		111	
		B Condition (2°CDB/1°CWB)	Cdh (Degradation heating)		1.0			
			COPd		4.25		4.35	
			Pdh	kW	3.9		4.2	
		C Condition (7°CDB/6°CWB)	Cdh (Degradation heating)		1.0			
			COPd		6.30		6.49	
			Pdh	kW	3.2		3.3	
		D Condition (12°CDB/11°CWB)	Cdh (Degradation heating)		1.0			
	COPd		7.78		8.52			
	Pdh		kW	3.3		3.9		
	Tol (temperature operating limit)	PERd		311		341		
		COPd		2.49		2.41		
		Pdh	kW	6.0		6.9		
		PERd	%	100		96		
	TOL	TOL		°C		-10		
		WTOL		°C		35		
		COPd		2.49		2.66		
		Pdh	kW	6.0		7.5		
	PERd	PERd		100		106		
		Tbiv		°C		-8		
		Rated heat output supplementary capacity		Psup (at Tdesign - 10°C)	kW	1.0	1.1	
	Cold climate water outlet 35°C	General	Annual energy consumption	kWh	3,749		5,034	
			ηs (Seasonal space heating efficiency)	%	155		154	
Prated at -22°C			kW	6.0		8.0		
Qhe Annual energy consumption (GCV)			Gj	-				
Warm climate water outlet 35°C	General	Annual energy consumption	kWh	1,276		1,437		
		ηs (Seasonal space heating efficiency)	%	248		257		
		Prated at 2°C	kW	6.0		7.0		
Space heating general	Air to water unit	Rated airflow (outdoor)		m³/h	2,520.0		2,770.0	
	Brine/water to water unit	Rated water/brine flow		m³/h	0.0			
	Other	Capacity control			Inverter			
		Pck (Crankcase heater mode)		kW	0.000			
		Poff (Off mode)		kW	0.010			
		Psb (Standby mode)		kW	0.010			
	Pto (Thermostat off)		kW	0.010				
Integrated supplementary heater	Psup		kW	9.0				

## 2 Specifications

CONNECTABLE INDOOR UNITS				EHVX08S18D9WG/ ERGA06DV	EHVX08S23D9WG/ ERGA06DV	EHVX08S18D9WG/ ERGA08DV	EHVX08S23D9WG/ ERGA08DV
Domestic hot water heating	General	Declared load profile		L	XL	L	XL
		Function to fix water heating during off peak hours		Yes			
	Average climate	AEC (Annual electricity consumption)	kWh	897	1,243	897	1,243
		$\eta_{wh}$ (water heating efficiency)	%	-	134	-	134
		Q <sub>fuel</sub> (Daily fuel consumption)	kWh	4.080	5.650	4.080	5.650
		Water heating energy efficiency class		A+			
	Cold climate	AEC (Annual electricity consumption)	kWh	1,043	1,455	1,043	1,455
		$\eta_{wh}$ (water heating efficiency)	%	98	116	98	116
		Q <sub>elec</sub> (Daily electricity consumption)	kWh	4.740	6.610	4.740	6.610
	Warm climate	AEC (Annual electricity consumption)	kWh	740	1,017	740	1,017
$\eta_{wh}$ (water heating efficiency)		%	139	166	139	166	
Q <sub>elec</sub> (Daily electricity consumption)		kWh	3.360	4.620	3.360	4.620	
Heating capacity	Nom.	kW	6.00 (1) / 5.90 (2)		7.50 (1) / 7.50 (2)		
Cooling capacity	Nom.	kW	5.96 (1) / 4.87 (2)		6.25 (1) / 5.35 (2)		
Power input	Heating	Nom.	1.24 (1) / 1.69 (2)		1.63 (1) / 2.14 (2)		
	Cooling	Nom.	1.06 (1) / 1.33 (2)		1.16 (1) / 1.51 (2)		
	Domestic hot water from 10°C to 50°C	Nom.	2.48	3.01	2.48	3.01	
COP			4.85 (1) / 3.50 (2)		4.60 (1) / 3.50 (2)		
EER			5.61 (1) / 3.67 (2)		5.40 (1) / 3.54 (2)		
Pump	Nominal ESP unit	Cooling	kPa	52.6 (1) / 57.5 (2)		51.1 (1) / 55.5 (2)	
		Heating	kPa	52.4 (1) / 52.9 (2)		43.3 (1) / 43.3 (2)	
Water side Heat exchanger	Water flow rate	Cooling	Nom.	17.1 (1) / 14.0 (2)		17.9 (1) / 15.3 (2)	
		Heating	Nom.	17.2 (1) / 16.9 (2)		21.5 (1) / 21.5 (2)	
General	Supplier/ Manufacturer details	Name and address		Daikin Europe N.V. - Zandvoordestraat 300, 8400 Oostende, Belgium			
		Name or trademark		Daikin Europe N.V.			
	Product description	Air-to-water heat pump		Yes			
		Brine-to-water heat pump		No			
		Heat pump combination heater		No			
		Low-temperature heat pump		No			
		Supplementary heater integrated		Yes			
Water-to-water heat pump		No					
LW(A) Sound power level (according to EN14825)	Indoor		dB(A)	42			
LW(A) Sound power level (according to EN14825)	Outdoor		dB(A)	60		62	
Sound condition Ecodesign and energy label			Sound power in heating mode, measured according to the EN12102 under conditions of the EN14825				
Heat up time from 10°C to 50°C			hr	1h28min	1h40min	1h28min	1h40min

### Notes

- (1) Condition 1: cooling Ta 35°C - LWE 18°C (DT = 5°C); heating Ta DB/WB 7°C/6°C - LWC 35°C (DT = 5°C)
- (2) Condition 2: cooling Ta 35°C - LWE 7°C (DT = 5°C); heating Ta DB/WB 7°C/6°C - LWC 45°C (DT = 5°C)
- (3) According to EU811/2013 - lay out 2015
- (4) According to EU811/2013 - lay out 2019

## 2 Specifications

CONNECTABLE INDOOR UNITS				EHVZ08S18D9W/ ERGA06DV	EHVZ08S23D9W/ ERGA06DV	EHVZ08S18D9W/ ERGA08DV	EHVZ08S23D9W/ ERGA08DV
<b>2-17 Capacity and Power input</b>							
Space heating	Average climate water outlet 55°C	General	SCOP		3.26		3.32
			Annual energy consumption	kWh	4,441		4,975
			$\eta_s$ (Seasonal space heating efficiency)	%	127		130
			Prated at -10°C	kW	7.0		8.0
			Seasonal space heating eff. class		A++		
		A Condition (-7°CDB/ 8°CWB)	Cdh (Degradation heating)		1.0		
			COPd		1.98	1.96	
			Pdh	kW	5.9	6.9	
			PERd	%	79	78	
		B Condition (2°CDB/ 1°CWB)	Cdh (Degradation heating)		1.0		
			COPd		3.16	3.20	
			Pdh	kW	3.9	4.4	
			PERd	%	126	128	
		C Condition (7°CDB/ 6°CWB)	Cdh (Degradation heating)		1.0		
			COPd		4.49	4.64	
			Pdh	kW	3.0	3.3	
			PERd	%	180	186	
		D Condition (12°CDB/ 11°CWB)	Cdh (Degradation heating)		1.0		
			COPd		6.10	6.22	
			Pdh	kW	3.3	4.1	
			PERd	%	244	249	
		Tol (temperature operating limit)	COPd		1.53	1.64	
			Pdh	kW	5.4	7.1	
			PERd	%	61	66	
	TOL		°C	-10			
	WTOL		°C	55			
	Rated heat output supplementary capacity	Psup (at Tdesign - 10°C)	kW	1.6	1.0		
		Tbiv (bivalent temperature)	COPd		2.12	1.90	
	Pdh		kW	6.1	7.5		
	PERd		%	85	76		
	Tbiv		°C	-6	-8		
	Cold climate water outlet 55°C	General	Annual energy consumption	kWh	5,300		6,886
			$\eta_s$ (Seasonal space heating efficiency)	%	109		112
Prated at -22°C			kW	6.0		8.0	
Warm climate water outlet 55°C	General	Annual energy consumption	kWh	1,858		2,213	
		$\eta_s$ (Seasonal space heating efficiency)	%	158		161	
		Prated at 2°C	kW	5.6		6.8	

2

## 2 Specifications

CONNECTABLE INDOOR UNITS				EHVZ08S18D9W/ ERGA06DV	EHVZ08S23D9W/ ERGA06DV	EHVZ08S18D9W/ ERGA08DV	EHVZ08S23D9W/ ERGA08DV		
Space heating	Average climate water outlet 35°C	General	SCOP		4.47		4.56		
			Annual energy consumption	kWh	3,233		3,625		
			ηs (Seasonal space heating efficiency)	%	176		179		
			Prated at -10°C	kW	7.0		8.0		
			Seasonal space heating eff. class		A++ (3) / A+++ (4)				
		A Condition (-7°CDB/-8°CWB)	COPd		2.86		2.77		
			Pdh	kW	6.0		7.0		
			PERd	%	114		111		
		B Condition (2°CDB/1°CWB)	Cdh (Degradation heating)		1.0				
			COPd		4.25		4.35		
			Pdh	kW	3.9		4.2		
		C Condition (7°CDB/6°CWB)	Cdh (Degradation heating)		1.0				
			COPd		6.30		6.49		
			Pdh	kW	3.2		3.3		
		D Condition (12°CDB/11°CWB)	Cdh (Degradation heating)		1.0				
			COPd		7.78		8.52		
			Pdh	kW	3.3		3.9		
		Tol (temperature operating limit)	COPd		2.49		2.41		
			Pdh	kW	6.0		6.9		
			PERd	%	100		96		
	TOL		°C	-10					
	Tbiv (bivalent temperature)	COPd		2.49		2.66			
		Pdh	kW	6.0		7.5			
		PERd	%	100		106			
		Tbiv	°C	-6		-8			
	Rated heat output supplementary capacity	Psup (at Tdesign - 10°C)		1.0		1.1			
	Cold climate water outlet 35°C	General	Annual energy consumption	kWh	3,749		5,034		
			ηs (Seasonal space heating efficiency)	%	155		154		
			Prated at -22°C	kW	6.0		8.0		
			Qhe Annual energy consumption (GCV)	Gj	-				
	Warm climate water outlet 35°C	General	Annual energy consumption	kWh	1,276		1,437		
			ηs (Seasonal space heating efficiency)	%	248		257		
Prated at 2°C			kW	6.0		7.0			
Space heating general	Air to water unit	Rated airflow (outdoor)		m³/h	2,520.0		2,770.0		
	Brine/water to water unit	Rated water/brine flow		m³/h	0.0				
	Other	Capacity control			Inverter				
		Pck (Crankcase heater mode)		kW	0.000				
		Poff (Off mode)		kW	0.010				
		Psb (Standby mode)		kW	0.010				
	Pto (Thermostat off)		kW	0.010					
Integrated supplementary heater	Psup		kW	9.0					

## 2 Specifications

CONNECTABLE INDOOR UNITS				EHVZ08S18D9W/ ERGA06DV	EHVZ08S23D9W/ ERGA06DV	EHVZ08S18D9W/ ERGA08DV	EHVZ08S23D9W/ ERGA08DV	
Domestic hot water heating	General	Declared load profile		L	XL	L	XL	
		Function to fix water heating during off peak hours		Yes				
	Average climate	AEC (Annual electricity consumption)		kWh	897	1,243	897	1,243
		η <sub>wh</sub> (water heating efficiency)		%	-	134	-	134
		Q <sub>fuel</sub> (Daily fuel consumption)		kWh	4.080	5.650	4.080	5.650
		Water heating energy efficiency class		A+				
	Cold climate	AEC (Annual electricity consumption)		kWh	1,043	1,455	1,043	1,455
		η <sub>wh</sub> (water heating efficiency)		%	98	116	98	116
		Q <sub>elec</sub> (Daily electricity consumption)		kWh	4.740	6.610	4.740	6.610
	Warm climate	AEC (Annual electricity consumption)		kWh	740	1,017	740	1,017
η <sub>wh</sub> (water heating efficiency)		%	139	166	139	166		
Q <sub>elec</sub> (Daily electricity consumption)		kWh	3.360	4.620	3.360	4.620		
Heating capacity	Nom.		kW	6.00 (1) / 5.90 (2)		7.50 (1) / 7.50 (2)		
Cooling capacity	Nom.		kW	5.96 (1) / 4.87 (2)		6.25 (1) / 5.35 (2)		
Power input	Heating	Nom.		kW	1.24 (1) / 1.69 (2)		1.63 (1) / 2.14 (2)	
	Cooling	Nom.		kW	1.06 (1) / 1.33 (2)		1.16 (1) / 1.51 (2)	
	Domestic hot water from 10°C to 50°C	Nom.		kWh	2.48	3.01	2.48	3.01
COP				4.85 (1) / 3.50 (2)		4.60 (1) / 3.50 (2)		
EER				5.61 (1) / 3.67 (2)		5.40 (1) / 3.54 (2)		
Pump	Nominal ESP unit	Cooling	kPa	52.6 (1) / 57.5 (2)		51.1 (1) / 55.5 (2)		
		Heating	kPa	52.4 (1) / 52.9 (2)		43.3 (1) / 43.3 (2)		
Water side Heat exchanger	Water flow rate	Cooling	Nom.	l/min	17.1 (1) / 14.0 (2)		17.9 (1) / 15.3 (2)	
		Heating	Nom.	l/min	17.2 (1) / 16.9 (2)		21.5 (1) / 21.5 (2)	
General	Supplier/Manufacturer details	Name and address		Daikin Europe N.V. - Zandvoordestraat 300, 8400 Oostende, Belgium				
		Name or trademark		Daikin Europe N.V.				
	Product description	Air-to-water heat pump		Yes				
		Brine-to-water heat pump		No				
		Heat pump combination heater		No				
		Low-temperature heat pump		No				
		Supplementary heater integrated		Yes				
Water-to-water heat pump		No						
LW(A) Sound power level (according to EN14825)	Indoor		dB(A)	42				
LW(A) Sound power level (according to EN14825)	Outdoor		dB(A)	60		62		
Sound condition Ecodesign and energy label				Sound power in heating mode, measured according to the EN12102 under conditions of the EN14825				
Heat up time from 10°C to 50°C			hr	1h28min	1h40min	1h28min	1h40min	

### Notes

- (1) Condition 1: cooling Ta 35°C - LWE 18°C (DT = 5°C); heating Ta DB/WB 7°C/6°C - LWC 35°C (DT = 5°C)
- (2) Condition 2: cooling Ta 35°C - LWE 7°C (DT = 5°C); heating Ta DB/WB 7°C/6°C - LWC 45°C (DT = 5°C)
- (3) According to EU811/2013 - lay out 2015
- (4) According to EU811/2013 - lay out 2019

## 2 Specifications

CONNECTABLE INDOOR UNITS				EHVZ08S18D9WG/ ERGA06DV	EHVZ08S23D9WG/ ERGA06DV	EHVZ08S18D9WG/ ERGA08DV	EHVZ08S23D9WG/ ERGA08DV		
<b>2-18 Capacity and Power input</b>									
Space heating	Average climate water outlet 55°C	General	SCOP		3.26		3.32		
			Annual energy consumption	kWh	4,441		4,975		
			ηs (Seasonal space heating efficiency)	%	127		130		
			Prated at -10°C	kW	7.0		8.0		
			Seasonal space heating eff. class		A++				
		A Condition (-7°CDB/-8°CWB)	Cdh (Degradation heating)			1.0			
			COPd			1.98		1.96	
			Pdh	kW	5.9		6.9		
			PERd	%	79		78		
		B Condition (2°CDB/1°CWB)	Cdh (Degradation heating)			1.0			
			COPd			3.16		3.20	
			Pdh	kW	3.9		4.4		
			PERd	%	126		128		
		C Condition (7°CDB/6°CWB)	Cdh (Degradation heating)			1.0			
			COPd			4.49		4.64	
			Pdh	kW	3.0		3.3		
			PERd	%	180		186		
		D Condition (12°CDB/11°CWB)	Cdh (Degradation heating)			1.0			
			COPd			6.10		6.22	
			Pdh	kW	3.3		4.1		
	PERd		%	244		249			
	Tol (temperature operating limit)	COPd			1.53		1.64		
		Pdh	kW	5.4		7.1			
		PERd	%	61		66			
		TOL	°C			-10			
		WTOL	°C			55			
	Rated heat output supplementary capacity	Psup (at Tdesign - 10°C)		kW	1.6		1.0		
		Tbiv (bivalent temperature)	COPd		2.12		1.90		
			Pdh	kW	6.1		7.5		
			PERd	%	85		76		
		Tbiv	°C	-6		-8			
	Cold climate water outlet 55°C	General	Annual energy consumption	kWh	5,300		6,886		
			ηs (Seasonal space heating efficiency)	%	109		112		
Prated at -22°C			kW	6.0		8.0			
Warm climate water outlet 55°C	General	Annual energy consumption	kWh	1,858		2,213			
		ηs (Seasonal space heating efficiency)	%	158		161			
		Prated at 2°C	kW	5.6		6.8			

## 2 Specifications

CONNECTABLE INDOOR UNITS				EHVZ08S18D9WG/ ERGA06DV	EHVZ08S23D9WG/ ERGA06DV	EHVZ08S18D9WG/ ERGA08DV	EHVZ08S23D9WG/ ERGA08DV	
Space heating	Average climate water outlet 35°C	General	SCOP		4.47		4.56	
			Annual energy consumption	kWh	3,233		3,625	
			ηs (Seasonal space heating efficiency)	%	176		179	
			Prated at -10°C	kW	7.0		8.0	
			Seasonal space heating eff. class		A++ (3) / A+++ (4)			
		A Condition (-7°CDB/-8°CWB)	COPd		2.86		2.77	
			Pdh	kW	6.0		7.0	
			PERd	%	114		111	
		B Condition (2°CDB/1°CWB)	Cdh (Degradation heating)		1.0			
			COPd		4.25		4.35	
			Pdh	kW	3.9		4.2	
		C Condition (7°CDB/6°CWB)	Cdh (Degradation heating)		1.0			
			COPd		6.30		6.49	
			Pdh	kW	3.2		3.3	
		D Condition (12°CDB/11°CWB)	Cdh (Degradation heating)		1.0			
			COPd		7.78		8.52	
	Pdh		kW	3.3		3.9		
	Tol (temperature operating limit)	PERd		311		341		
		COPd		2.49		2.41		
		Pdh	kW	6.0		6.9		
		PERd	%	100		96		
	Tbiv (bivalent temperature)	TOL		°C		-10		
		WTOL		°C		35		
		COPd		2.49		2.66		
		Pdh	kW	6.0		7.5		
	Rated heat output supplementary capacity	PERd		100		106		
		Tbiv		°C		-8		
		Psup (at Tdesign - 10°C)		kW		1.1		
	Cold climate water outlet 35°C	General	Annual energy consumption	kWh	3,749		5,034	
			ηs (Seasonal space heating efficiency)	%	155		154	
			Prated at -22°C	kW	6.0		8.0	
			Qhe Annual energy consumption (GCV)	Gj	-			
Warm climate water outlet 35°C	General	Annual energy consumption	kWh	1,276		1,437		
		ηs (Seasonal space heating efficiency)	%	248		257		
		Prated at 2°C	kW	6.0		7.0		
Space heating general	Air to water unit	Rated airflow (outdoor)		m³/h	2,520.0		2,770.0	
	Brine/water to water unit	Rated water/brine flow		m³/h	0.0			
	Other	Capacity control			Inverter			
		Pck (Crankcase heater mode)		kW	0.000			
		Poff (Off mode)		kW	0.010			
		Psb (Standby mode)		kW	0.010			
	Pto (Thermostat off)		kW	0.010				
Integrated supplementary heater	Psup		kW	9.0				



## 2 Specifications

CONNECTABLE INDOOR UNITS				EHVZ08S18D9WG/ ERGA06DV	EHVZ08S23D9WG/ ERGA06DV	EHVZ08S18D9WG/ ERGA08DV	EHVZ08S23D9WG/ ERGA08DV
Domestic hot water heating	General	Declared load profile		L	XL	L	XL
		Function to fix water heating during off peak hours		Yes			
	Average climate	AEC (Annual electricity consumption)	kWh	897	1,243	897	1,243
		$\eta_{wh}$ (water heating efficiency)	%	-	134	-	134
		Q <sub>fuel</sub> (Daily fuel consumption)	kWh	4.080	5.650	4.080	5.650
		Water heating energy efficiency class		A+			
	Cold climate	AEC (Annual electricity consumption)	kWh	1,043	1,455	1,043	1,455
		$\eta_{wh}$ (water heating efficiency)	%	98	116	98	116
		Q <sub>elec</sub> (Daily electricity consumption)	kWh	4.740	6.610	4.740	6.610
	Warm climate	AEC (Annual electricity consumption)	kWh	740	1,017	740	1,017
$\eta_{wh}$ (water heating efficiency)		%	139	166	139	166	
Q <sub>elec</sub> (Daily electricity consumption)		kWh	3.360	4.620	3.360	4.620	
Heating capacity	Nom.	kW	6.00 (1) / 5.90 (2)		7.50 (1) / 7.50 (2)		
Cooling capacity	Nom.	kW	5.96 (1) / 4.87 (2)		6.25 (1) / 5.35 (2)		
Power input	Heating	Nom.	kW	1.24 (1) / 1.69 (2)		1.63 (1) / 2.14 (2)	
	Cooling	Nom.	kW	1.06 (1) / 1.33 (2)		1.16 (1) / 1.51 (2)	
	Domestic hot water from 10°C to 50°C	Nom.	kWh	2.48	3.01	2.48	3.01
COP				4.85 (1) / 3.50 (2)		4.60 (1) / 3.50 (2)	
EER				5.61 (1) / 3.67 (2)		5.40 (1) / 3.54 (2)	
Pump	Nominal ESP unit	Cooling	kPa	52.6 (1) / 57.5 (2)		51.1 (1) / 55.5 (2)	
		Heating	kPa	52.4 (1) / 52.9 (2)		43.3 (1) / 43.3 (2)	
Water side Heat exchanger	Water flow rate	Cooling	Nom. l/min	17.1 (1) / 14.0 (2)		17.9 (1) / 15.3 (2)	
		Heating	Nom. l/min	17.2 (1) / 16.9 (2)		21.5 (1) / 21.5 (2)	
General	Supplier/Manufacturer details	Name and address		Daikin Europe N.V. - Zandvoordestraat 300, 8400 Oostende, Belgium			
		Name or trademark		Daikin Europe N.V.			
	Product description	Air-to-water heat pump		Yes			
		Brine-to-water heat pump		No			
		Heat pump combination heater		No			
		Low-temperature heat pump		No			
		Supplementary heater integrated		Yes			
Water-to-water heat pump		No					
LW(A) Sound power level (according to EN14825)	Indoor		dB(A)	42			
LW(A) Sound power level (according to EN14825)	Outdoor		dB(A)	60		62	
Sound condition Ecodesign and energy label				Sound power in heating mode, measured according to the EN12102 under conditions of the EN14825			
Heat up time from 10°C to 50°C			hr	1h28min	1h40min	1h28min	1h40min

### Notes

- (1) Condition 1: cooling Ta 35°C - LWE 18°C (DT = 5°C); heating Ta DB/WB 7°C/6°C - LWC 35°C (DT = 5°C)
- (2) Condition 2: cooling Ta 35°C - LWE 7°C (DT = 5°C); heating Ta DB/WB 7°C/6°C - LWC 45°C (DT = 5°C)
- (3) According to EU811/2013 - lay out 2015
- (4) According to EU811/2013 - lay out 2019

## 2 Specifications

CONNECTABLE INDOOR UNITS				EHVZ04S18D6V/ ERGA04DV	EHVZ08S18D6V/ ERGA06DV	EHVZ08S23D6V/ ERGA06DV	EHVZ08S18D6V/ ERGA08DV	EHVZ08S23D6V/ ERGA08DV		
<b>2-19 Capacity and Power input</b>										
Space heating	Average climate water outlet 55°C	General	SCOP		3.26		3.32			
			Annual energy consumption	kWh	3,806	4,441		4,975		
			ηs (Seasonal space heating efficiency)	%	127		130			
			Prated at -10°C	kW	6.0	7.0		8.0		
			Seasonal space heating eff. class		A++					
		A Condition (-7°CDB/-8°CWB)	Cdh (Degradation heating)		1.0					
			COPd		1.97	1.98		1.96		
			Pdh	kW	5.3	5.9		6.9		
			PERd		79		78			
		B Condition (2°CDB/1°CWB)	Cdh (Degradation heating)		1.0					
			COPd		3.23	3.16		3.20		
			Pdh	kW	3.3	3.9		4.4		
			PERd		129	126		128		
		C Condition (7°CDB/6°CWB)	Cdh (Degradation heating)		1.0					
			COPd		4.40	4.49		4.64		
			Pdh	kW	3.0		3.3			
			PERd		176	180		186		
		D Condition (12°CDB/11°CWB)	Cdh (Degradation heating)		1.0					
			COPd		6.10		6.22			
			Pdh	kW	3.3		4.1			
			PERd		244		249			
		Tol (temperature operating limit)	COPd		1.37	1.53		1.64		
			Pdh	kW	4.0	5.4		7.1		
			PERd		55	61		66		
	TOL		°C -10							
	WTOL		°C 55							
	Rated heat output supplementary capacity	Psup (at Tdesign - 10°C)		kW	2.0	1.6		1.0		
		Tbiv (bivalent temperature)	COPd		1.97	2.12		1.90		
			Pdh	kW	5.3	6.1		7.5		
			PERd		79	85		76		
	Cold climate water outlet 55°C	General	Annual energy consumption	kWh	4,468	5,300		6,886		
			ηs (Seasonal space heating efficiency)	%	107	109		112		
Prated at -22°C			kW	5.0	6.0		8.0			
Warm climate water outlet 55°C	General	Annual energy consumption	kWh	1,660	1,858		2,213			
		ηs (Seasonal space heating efficiency)	%	148	158		161			
		Prated at 2°C	kW	4.7	5.6		6.8			

2

## 2 Specifications

CONNECTABLE INDOOR UNITS				EHVZ04S18D6V/ ERGA04DV	EHVZ08S18D6V/ ERGA06DV	EHVZ08S23D6V/ ERGA06DV	EHVZ08S18D6V/ ERGA08DV	EHVZ08S23D6V/ ERGA08DV		
Space heating	Average climate water outlet 35°C	General	SCOP		4.48	4.47	4.56			
			Annual energy consumption	kWh	2,766	3,233	3,625			
			ηs (Seasonal space heating efficiency)	%	176			179		
			Prated at -10°C	kW	6.0	7.0	8.0			
			Seasonal space heating eff. class		A++ (3) / A+++ (4)					
		A Condition (-7°CDB/-8°CWB)	COPd		2.90	2.86	2.77			
			Pdh	kW	5.5	6.0	7.0			
			PERd	%	116	114	111			
		B Condition (2°CDB/1°CWB)	Cdh (Degradation heating)		1.0					
			COPd		4.33	4.25	4.35			
			Pdh	kW	3.3	3.9	4.2			
			PERd	%	173	170	174			
		C Condition (7°CDB/6°CWB)	Cdh (Degradation heating)		1.0					
			COPd		6.19	6.30	6.49			
			Pdh	kW	3.2			3.3		
			PERd	%	248	252	260			
	D Condition (12°CDB/11°CWB)	Cdh (Degradation heating)		1.0						
		COPd		7.78			8.52			
		Pdh	kW	3.3			3.9			
		PERd	%	311			341			
	Tol (temperature operating limit)	COPd		2.56	2.49	2.41				
		Pdh	kW	5.2	6.0	6.9				
		PERd	%	102	100	96				
		TOL	°C	-10						
		WTOL	°C	35						
	Tbiv (bivalent temperature)	COPd		2.90	2.49	2.66				
		Pdh	kW	5.5	6.0	7.5				
		PERd	%	116	100	106				
		Tbiv	°C	-7	-6	-8				
	Rated heat output supplementary capacity	Psup (at Tdesign - 10°C)		kW	0.8	1.0	1.1			
	Cold climate water outlet 35°C	General	Annual energy consumption	kWh	3,230	3,749	5,034			
			ηs (Seasonal space heating efficiency)	%	150	155	154			
Prated at -22°C			kW	5.0	6.0	8.0				
Qhe Annual energy consumption (GCV)			Gj	-						
Warm climate water outlet 35°C	General	Annual energy consumption	kWh	1,139	1,276	1,437				
		ηs (Seasonal space heating efficiency)	%	241	248	257				
		Prated at 2°C	kW	5.2	6.0	7.0				
Space heating general	Air to water unit	Rated airflow (outdoor)		m³/h	2,280.0	2,520.0	2,770.0			
	Brine/water to water unit	Rated water/brine flow		m³/h	0.0					
	Other	Capacity control			Inverter					
		Pck (Crankcase heater mode)	kW	0.000						
		Poff (Off mode)	kW	0.010						
		Psb (Standby mode)	kW	0.010						
	Pto (Thermostat off)	kW	0.010							
Integrated supplementary heater	Psup		kW	6.0						

## 2 Specifications

CONNECTABLE INDOOR UNITS				EHVZ04S18D6V/ ERGA04DV	EHVZ08S18D6V/ ERGA06DV	EHVZ08S23D6V/ ERGA06DV	EHVZ08S18D6V/ ERGA08DV	EHVZ08S23D6V/ ERGA08DV
Domestic hot water heating	General	Declared load profile		L		XL	L	XL
		Function to fix water heating during off peak hours		Yes				
	Average climate	AEC (Annual electricity consumption)		kWh	897	1,243	897	1,243
		η <sub>wh</sub> (water heating efficiency)		%	-	134	-	134
		Q <sub>fuel</sub> (Daily fuel consumption)		kWh	4.080	5.650	4.080	5.650
		Water heating energy efficiency class		A+				
	Cold climate	AEC (Annual electricity consumption)		kWh	1,043	1,455	1,043	1,455
		η <sub>wh</sub> (water heating efficiency)		%	98	116	98	116
		Q <sub>elec</sub> (Daily electricity consumption)		kWh	4.740	6.610	4.740	6.610
	Warm climate	AEC (Annual electricity consumption)		kWh	740	1,017	740	1,017
η <sub>wh</sub> (water heating efficiency)		%	139	166	139	166		
Q <sub>elec</sub> (Daily electricity consumption)		kWh	3.360	4.620	3.360	4.620		
Heating capacity	Nom.	kW	4.30 (1) / 4.20 (2)	6.00 (1) / 5.90 (2)	7.50 (1) / 7.50 (2)			
Cooling capacity	Nom.	kW	5.56 (1) / 4.37 (2)	5.96 (1) / 4.87 (2)	6.25 (1) / 5.35 (2)			
Power input	Heating	Nom.	kW	0.850 (1) / 1.16 (2)	1.24 (1) / 1.69 (2)	1.63 (1) / 2.14 (2)		
	Cooling	Nom.	kW	0.940 (1) / 1.14 (2)	1.06 (1) / 1.33 (2)	1.16 (1) / 1.51 (2)		
	Domestic hot water from 10°C to 50°C	Nom.	kWh	2.48	3.01	2.48	3.01	
COP				5.10 (1) / 3.62 (2)	4.85 (1) / 3.50 (2)	4.60 (1) / 3.50 (2)		
EER				5.94 (1) / 3.84 (2)	5.61 (1) / 3.67 (2)	5.40 (1) / 3.54 (2)		
Pump	Nominal ESP unit	Cooling	kPa	54.6 (1) / 59.4 (2)	52.6 (1) / 57.5 (2)	51.1 (1) / 55.5 (2)		
		Heating	kPa	59.6 (1) / 59.9 (2)	52.4 (1) / 52.9 (2)	43.3 (1) / 43.3 (2)		
Water side Heat exchanger	Water flow rate	Cooling	Nom.	l/min	15.9 (1) / 12.5 (2)	17.1 (1) / 14.0 (2)	17.9 (1) / 15.3 (2)	
		Heating	Nom.	l/min	12.3 (1) / 12.0 (2)	17.2 (1) / 16.9 (2)	21.5 (1) / 21.5 (2)	
General	Supplier/Manufacturer details	Name and address		Daikin Europe N.V. - Zandvoordestraat 300, 8400 Oostende, Belgium				
		Name or trademark		Daikin Europe N.V.				
	Product description	Air-to-water heat pump		Yes				
		Brine-to-water heat pump		No				
		Heat pump combination heater		No				
		Low-temperature heat pump		No				
		Supplementary heater integrated		Yes				
Water-to-water heat pump		No						
LW(A) Sound power level (according to EN14825)	Indoor		dB(A)	42				
LW(A) Sound power level (according to EN14825)	Outdoor		dB(A)	58	60	62		
Sound condition Ecodesign and energy label				Sound power in heating mode, measured according to the EN12102 under conditions of the EN14825				
Heat up time from 10°C to 50°C			hr	1h28min	1h40min	1h28min	1h40min	

### Notes

- (1) Condition 1: cooling Ta 35°C - LWE 18°C (DT = 5°C); heating Ta DB/WB 7°C/6°C - LWC 35°C (DT = 5°C)
- (2) Condition 2: cooling Ta 35°C - LWE 7°C (DT = 5°C); heating Ta DB/WB 7°C/6°C - LWC 45°C (DT = 5°C)
- (3) According to EU811/2013 - lay out 2015
- (4) According to EU811/2013 - lay out 2019

## 2 Specifications

CONNECTABLE INDOOR UNITS				EHVZ04S18D6VG /ERGA04DV	EHVZ08S18D6VG /ERGA06DV	EHVZ08S23D6VG /ERGA06DV	EHVZ08S18D6VG /ERGA08DV	EHVZ08S23D6VG /ERGA08DV		
<b>2-20 Capacity and Power input</b>										
Space heating	Average climate water outlet 55°C	General	SCOP		3.26		3.32			
			Annual energy consumption	kWh	3,806	4,441		4,975		
			ηs (Seasonal space heating efficiency)	%	127		130			
			Prated at -10°C	kW	6.0	7.0		8.0		
			Seasonal space heating eff. class		A++					
		A Condition (-7°CDB/-8°CWB)	Cdh (Degradation heating)		1.0					
			COPd		1.97	1.98		1.96		
			Pdh	kW	5.3	5.9		6.9		
			PERd	%	79		78			
		B Condition (2°CDB/1°CWB)	Cdh (Degradation heating)		1.0					
			COPd		3.23	3.16		3.20		
			Pdh	kW	3.3	3.9		4.4		
			PERd	%	129	126		128		
		C Condition (7°CDB/6°CWB)	Cdh (Degradation heating)		1.0					
			COPd		4.40	4.49		4.64		
			Pdh	kW	3.0		3.3			
			PERd	%	176	180		186		
		D Condition (12°CDB/11°CWB)	Cdh (Degradation heating)		1.0					
			COPd		6.10		6.22			
			Pdh	kW	3.3		4.1			
			PERd	%	244		249			
	Tol (temperature operating limit)	COPd		1.37	1.53		1.64			
		Pdh	kW	4.0	5.4		7.1			
		PERd	%	55	61		66			
		TOL	°C	-10						
		WTOL	°C	55						
	Rated heat output supplementary capacity	Psup (at Tdesign - 10°C)		kW	2.0	1.6		1.0		
		COPd		1.97	2.12		1.90			
		Pdh	kW	5.3	6.1		7.5			
		PERd	%	79	85		76			
		Tbiv	°C	-7	-6		-8			
	Cold climate water outlet 55°C	General	Annual energy consumption	kWh	4,468	5,300		6,886		
			ηs (Seasonal space heating efficiency)	%	107	109		112		
Prated at -22°C			kW	5.0	6.0		8.0			
Warm climate water outlet 55°C	General	Annual energy consumption	kWh	1,660	1,858		2,213			
		ηs (Seasonal space heating efficiency)	%	148	158		161			
		Prated at 2°C	kW	4.7	5.6		6.8			

## 2 Specifications

CONNECTABLE INDOOR UNITS				EHVZ04S18D6VG /ERGA04DV	EHVZ08S18D6VG /ERGA06DV	EHVZ08S23D6VG /ERGA06DV	EHVZ08S18D6VG /ERGA08DV	EHVZ08S23D6VG /ERGA08DV		
Space heating	Average climate water outlet 35°C	General	SCOP	4.48	4.47		4.56			
			Annual energy consumption	kWh	2,766	3,233		3,625		
			ηs (Seasonal space heating efficiency)	%	176		179			
			Prated at -10°C	kW	6.0	7.0		8.0		
			Seasonal space heating eff. class		A++ (3) / A+++ (4)					
		A Condition (-7°CDB/-8°CWB)	COPd		2.90	2.86		2.77		
			Pdh	kW	5.5	6.0		7.0		
			PERd	%	116	114		111		
		B Condition (2°CDB/1°CWB)	Cdh (Degradation heating)		1.0					
			COPd		4.33	4.25		4.35		
			Pdh	kW	3.3	3.9		4.2		
		C Condition (7°CDB/6°CWB)	Cdh (Degradation heating)		1.0					
			COPd		6.19	6.30		6.49		
			Pdh	kW	3.2		3.3			
		D Condition (12°CDB/11°CWB)	Cdh (Degradation heating)		1.0					
			COPd		7.78		8.52			
	Pdh		kW	3.3		3.9				
	Tol (temperature operating limit)	PERd	%	248	252		260			
		COPd		2.56	2.49		2.41			
		Pdh	kW	5.2	6.0		6.9			
		PERd	%	102	100		96			
		TOL	°C	-10						
	Tbiv (bivalent temperature)	WTOL	°C	35						
		COPd		2.90	2.49		2.66			
		Pdh	kW	5.5	6.0		7.5			
		PERd	%	116	100		106			
	Rated heat output supplementary capacity	Tbiv	°C	-7	-6		-8			
		Psup (at Tdesign -10°C)	kW	0.8	1.0		1.1			
	Cold climate water outlet 35°C	General	Annual energy consumption	kWh	3,230	3,749		5,034		
			ηs (Seasonal space heating efficiency)	%	150	155		154		
			Prated at -22°C	kW	5.0	6.0		8.0		
			Qhe Annual energy consumption (GCV)	Gj	-					
Warm climate water outlet 35°C	General	Annual energy consumption	kWh	1,139	1,276		1,437			
		ηs (Seasonal space heating efficiency)	%	241	248		257			
		Prated at 2°C	kW	5.2	6.0		7.0			
Space heating general	Air to water unit	Rated airflow (outdoor)	m³/h	2,280.0	2,520.0		2,770.0			
	Brine/water to water unit	Rated water/brine flow	m³/h	0.0						
	Other	Capacity control			Inverter					
		Pck (Crankcase heater mode)	kW	0.000						
		Poff (Off mode)	kW	0.010						
		Psb (Standby mode)	kW	0.010						
	Pto (Thermostat off)	kW	0.010							
Integrated supplementary heater	Psup	kW	6.0							

## 2 Specifications

CONNECTABLE INDOOR UNITS				EHVZ04S18D6VG /ERGA04DV	EHVZ08S18D6VG /ERGA06DV	EHVZ08S23D6VG /ERGA06DV	EHVZ08S18D6VG /ERGA08DV	EHVZ08S23D6VG /ERGA08DV
Domestic hot water heating	General	Declared load profile		L		XL	L	XL
		Function to fix water heating during off peak hours		Yes				
	Average climate	AEC (Annual electricity consumption)		kWh	897	1,243	897	1,243
		η <sub>wh</sub> (water heating efficiency)		%	-	134	-	134
		Q <sub>fuel</sub> (Daily fuel consumption)		kWh	4.080	5.650	4.080	5.650
		Water heating energy efficiency class		A+				
	Cold climate	AEC (Annual electricity consumption)		kWh	1,043	1,455	1,043	1,455
		η <sub>wh</sub> (water heating efficiency)		%	98	116	98	116
		Q <sub>elec</sub> (Daily electricity consumption)		kWh	4.740	6.610	4.740	6.610
	Warm climate	AEC (Annual electricity consumption)		kWh	740	1,017	740	1,017
η <sub>wh</sub> (water heating efficiency)		%	139	166	139	166		
Q <sub>elec</sub> (Daily electricity consumption)		kWh	3.360	4.620	3.360	4.620		
Heating capacity	Nom.		kW	4.30 (1) / 4.20 (2)	6.00 (1) / 5.90 (2)	7.50 (1) / 7.50 (2)		
Cooling capacity	Nom.		kW	5.56 (1) / 4.37 (2)	5.96 (1) / 4.87 (2)	6.25 (1) / 5.35 (2)		
Power input	Heating	Nom.		kW	0.850 (1) / 1.16 (2)	1.24 (1) / 1.69 (2)	1.63 (1) / 2.14 (2)	
	Cooling	Nom.		kW	0.940 (1) / 1.14 (2)	1.06 (1) / 1.33 (2)	1.16 (1) / 1.51 (2)	
	Domestic hot water from 10°C to 50°C	Nom.		kWh	2.48	3.01	2.48	3.01
COP				5.10 (1) / 3.62 (2)		4.85 (1) / 3.50 (2)		4.60 (1) / 3.50 (2)
EER				5.94 (1) / 3.84 (2)		5.61 (1) / 3.67 (2)		5.40 (1) / 3.54 (2)
Pump	Nominal ESP unit	Cooling	kPa	54.6 (1) / 59.4 (2)	52.6 (1) / 57.5 (2)	51.1 (1) / 55.5 (2)		
		Heating	kPa	59.6 (1) / 59.9 (2)	52.4 (1) / 52.9 (2)	43.3 (1) / 43.3 (2)		
Water side Heat exchanger	Water flow rate	Cooling	Nom.	l/min	15.9 (1) / 12.5 (2)	17.1 (1) / 14.0 (2)	17.9 (1) / 15.3 (2)	
		Heating	Nom.	l/min	12.3 (1) / 12.0 (2)	17.2 (1) / 16.9 (2)	21.5 (1) / 21.5 (2)	
General	Supplier/Manufacturer details	Name and address		Daikin Europe N.V. - Zandvoordestraat 300, 8400 Oostende, Belgium				
		Name or trademark		Daikin Europe N.V.				
	Product description	Air-to-water heat pump		Yes				
		Brine-to-water heat pump		No				
		Heat pump combination heater		No				
		Low-temperature heat pump		No				
		Supplementary heater integrated		Yes				
Water-to-water heat pump		No						
LW(A) Sound power level (according to EN14825)	Indoor		dB(A)	42				
LW(A) Sound power level (according to EN14825)	Outdoor		dB(A)	58	60	62		
Sound condition Ecodesign and energy label				Sound power in heating mode, measured according to the EN12102 under conditions of the EN14825				
Heat up time from 10°C to 50°C				hr	1h28min	1h40min	1h28min	1h40min

### Notes

- (1) Condition 1: cooling Ta 35°C - LWE 18°C (DT = 5°C); heating Ta DB/WB 7°C/6°C - LWC 35°C (DT = 5°C)
- (2) Condition 2: cooling Ta 35°C - LWE 7°C (DT = 5°C); heating Ta DB/WB 7°C/6°C - LWC 45°C (DT = 5°C)
- (3) According to EU811/2013 - lay out 2015
- (4) According to EU811/2013 - lay out 2019

## 2 Specifications

2-21 Technical Specifications				ERGA04DV	ERGA06DV	ERGA08DV
Dimensions	Unit	HeightxWidthxDepth	mm	740x884x388		
Weight	Unit		kg	58.5		
Compressor	Quantity			1		
	Type			Hermetically sealed swing compressor		
Operation range	Cooling	Min.-Max.	°CDB	10~43		
	Domestic hot water	Min.-Max.	°CDB	-25~35		
Refrigerant	Type			R-32		
	GWP			675.0		
	Charge	TCO <sub>2</sub> eq		-		
		kg		1.50		
Control			Expansion valve			
Sound power level	Heating	Nom.	dBA	58 (2)	60 (2)	62 (2)
	Cooling	Nom.	dBA	61 (2)	62 (2)	
Sound pressure level	Heating	Nom.	dBA	44 (2)	47 (2)	49 (2)
	Cooling	Nom.	dBA	48 (2)	49 (2)	50 (2)
2-22 Electrical Specifications				ERGA04DV	ERGA06DV	ERGA08DV
Power supply	Name/Phase/Frequency/Voltage		Hz/V	V3/1N~/50/230		
Current	Recommended fuses		A	25		

### Notes

(2) Cooling Ta 35°C - LWE 18°C (DT = 5°C); Heating Ta DB/WB 7°C/6°C - LWC 35°C (DT = 5°C)



### 3 Options

#### 3 - 1 Options

ERGA04-08DV3

#### Kit availability for outdoor units

		ERGA04DAV3	ERGA06DAV3*	ERGA08DAV3*
EKDP008D	Drain pan kit	o	o	o
EKDPH008CA	Drain pan heater	o	o	o
EKFT008D	Feet kit	o	o	o

3D111531A

# 4 Capacity tables

## 4 - 1 Certification Programs

4

### ERGA04-08DV3

Rated data for certification programmes - heating mode

Tamb [°C]	EWC [°C]	LWC [°C]	ERGA04DA*		ERGA06DA*		ERGA08DA*	
			HC [kW]	COP	HC [kW]	COP	HC [kW]	COP
7/6	30	35	4,30	5,10	6,00	4,85	7,50	4,60
2/1	30	35	3,50	4,10	4,80	3,75	5,30	3,65
-7/-8	30	35	4,50	3,10	5,50	2,90	6,00	2,70
7/6	40	45	4,60	3,65	5,90	3,50	7,80	3,50
2/1	40	45	4,20	2,80	5,00	2,80	6,00	2,75
-7/-8	40	45	4,35	2,40	5,00	2,35	6,10	2,21
7/6	47	55	4,90	2,65	5,80	2,70	7,50	2,70
-7/-8	47	55	4,20	1,60	5,00	1,65	5,50	1,70

Rated data for certification programmes - cooling mode

Tamb [°C]	EWE [°C]	LWE [°C]	ERGA04DA*		ERGA06DA*		ERGA08DA*	
			CC [kW]	EER	CC [kW]	EER	CC [kW]	EER
35	23	18	5,56	5,94	5,96	5,61	6,25	5,40
35	12	7	4,37	3,84	4,87	3,67	5,35	3,54

- HC Heating capacity measured according to EN 14511
- CC cooling capacity, measured according to EN14511
- COP/EER Coefficient of Performance/Energy efficiency ratio according to EN 14511.
- EWC Entering water condenser temperature [°C]
- LWC Leaving water condensor temperature [°C]
- EWE entering water evaporator temperature [°C]
- LWE Leaving water evaporator temperature [°C]
- Tamb Ambient temperature [°C DB/WB]

3D112873

# 4 Capacity tables

## 4 - 2 Cooling Capacity Tables

ERGA04-08DV3

Maximum cooling capacity													
	T <sub>amb</sub> [°C]	20		25		30		35		40		43	
	LWE [°C]	CC [kW]	PI [kW]	CC [kW]	PI [kW]	CC [kW]	PI [kW]	CC [kW]	PI [kW]	CC [kW]	PI [kW]	CC [kW]	PI [kW]
*RGA04*	7	6,26	1,06	5,71	1,12	5,17	1,18	4,62	1,24	3,49	1,14	2,82	1,07
	10	6,53	0,95	6,02	1,03	5,51	1,12	5,00	1,20	3,82	1,09	3,11	1,02
	13	6,79	0,85	6,32	0,95	5,85	1,05	5,38	1,15	4,14	1,04	3,39	1,00
	15	7,05	0,80	6,57	0,91	6,10	1,01	5,62	1,12	4,43	1,03	3,72	1,00
	18	7,43	0,74	6,95	0,84	6,46	0,95	5,98	1,06	4,88	1,02	4,23	1,00
	22	7,94	0,65	7,46	0,76	6,96	0,87	6,46	0,99	5,48	1,01	4,80	1,00
*RGA06*	7	7,80	1,50	7,06	1,54	6,31	1,57	5,57	1,60	3,96	1,31	2,99	1,16
	10	8,40	1,46	7,61	1,50	6,82	1,54	6,03	1,57	4,51	1,31	3,60	1,16
	13	9,01	1,43	8,17	1,46	7,33	1,50	6,49	1,54	5,06	1,31	4,21	1,16
	15	9,36	1,37	8,53	1,42	7,70	1,48	6,87	1,54	5,40	1,31	4,51	1,16
	18	9,88	1,28	9,07	1,36	8,26	1,45	7,45	1,54	5,90	1,31	4,97	1,16
	22	10,58	1,16	9,70	1,29	8,00	1,41	8,24	1,54	6,57	1,31	5,58	1,16
*RGA08*	7	8,78	1,76	7,97	1,81	7,16	1,86	6,34	1,91	4,24	1,40	2,97	1,09
	10	9,58	1,79	8,71	1,84	7,85	1,89	6,99	1,94	4,78	1,40	3,45	1,08
	13	10,37	1,82	9,45	1,86	8,54	1,91	7,63	1,96	5,31	1,41	3,92	1,08
	15	10,94	1,78	9,96	1,83	8,98	1,88	8,01	1,93	5,62	1,39	4,19	1,07
	18	11,79	1,74	10,72	1,78	9,64	1,83	8,57	1,87	6,07	1,37	4,58	1,07
	22	12,94	1,67	11,73	1,71	10,52	1,76	9,31	1,90	6,68	1,34	5,10	1,06

**Symbols**

- CC Cooling capacity at maximum operating frequency, measured according to EN 14511.
- HC Heating capacity at maximum operating frequency, measured according to EN 14511
- PI Power input is the total input of indoor and outdoor units, including the circulation pump; according to EN 14511.
- LWE Leaving water evaporator temperature [°C]
- LWC Leaving water condensor temperature [°C]
- Tamb Ambient temperature; RH (heating) = 85%

**Conditions**

Cooling capacity

Capacity according to standard EN 14511 and valid for chilled water range ΔT = 3~8°C.  
Capacity values may not be extrapolated below 7°C leaving water temperature.

Heating capacity

Capacity according to standard EN 14511 and valid for heated water range ΔT = 3~8°C.

Power input

Power input is the total input of indoor and outdoor units, including the circulation pump; according to EN 14511.

**Notes**

The capacity and the power input are valid for V3 models at 230 V.  
The capacity and the power input are at maximum operation.

# 4 Capacity tables

## 4 - 3 Heating Capacity Tables

4

ERGA04-08DV3

Maximum heating capacity - integrated value													
	LWC [°C]	30		35		40		45		50		55	
		T <sub>amb</sub> [°C]	HC [kW]	PI [kW]	HC [kW]	PI [kW]	HC [kW]	PI [kW]	HC [kW]	PI [kW]	HC [kW]	PI [kW]	HC [kW]
*RGA08*	-20	6,22	3,21	6,14	3,43	6,06	3,66	5,98	3,89	5,89	4,11		
	-15	6,62	2,88	6,58	3,16	6,53	3,44	6,48	3,72	6,33	4,02	6,33	4,27
	-7	7,27	2,37	7,28	2,73	7,29	3,08	7,30	3,44	7,02	3,86	6,74	4,28
	-2	7,23	2,11	7,24	2,41	7,26	2,72	7,27	3,02	7,05	3,37	6,83	3,72
	2	7,20	1,90	7,22	2,16	7,23	2,42	7,25	2,68	7,07	2,97	6,90	3,27
	7	9,63	1,84	9,37	2,08	9,12	2,31	8,86	2,55	8,74	3,00	8,61	3,45
	12	9,52	1,49	9,21	1,71	8,91	1,93	8,60	2,14	8,42	2,42	8,25	2,71
	15	9,22	1,30	8,82	1,50	8,42	1,70	8,02	1,90	7,79	2,16	7,55	2,42
20	8,71	0,97	8,16	1,14	7,60	1,32	7,04	1,49	6,72	1,71	6,40	1,93	
*RGA06*	-20	5,19	2,65	5,13	2,82	5,08	3,00	5,02	3,17	5,00	3,44		
	-15	5,59	2,38	5,56	2,60	5,53	2,83	5,50	3,05	5,22	3,35	4,91	3,54
	-7	6,24	1,95	6,25	2,25	6,25	2,56	6,26	2,86	5,58	3,21	4,91	3,54
	-2	6,22	1,72	6,20	1,97	6,19	2,22	6,17	2,48	5,74	2,75	5,32	3,03
	2	6,20	1,53	6,17	1,74	6,13	1,95	6,10	2,17	5,87	2,39	5,65	2,61
	7	7,92	1,45	7,74	1,63	7,57	1,82	7,40	2,01	7,22	2,26	7,03	2,51
	12	7,79	1,06	7,52	1,27	7,26	1,47	6,99	1,68	6,76	1,92	6,54	2,16
	15	7,60	0,95	7,25	1,13	6,89	1,30	6,54	1,48	6,17	1,70	5,81	1,92
20	7,29	0,77	6,79	0,89	6,29	1,02	5,78	1,14	5,19	1,33	4,60	1,51	
*RGA04*	-20	4,38	2,43	4,29	2,45	4,21	2,47	4,13	2,48	3,99	2,82		
	-15	4,78	2,14	4,71	2,24	4,64	2,35	4,58	2,45	4,25	2,78	3,94	2,98
	-7	5,43	1,66	5,38	1,91	5,34	2,16	5,30	2,40	4,65	2,72	4,00	3,04
	-2	5,49	1,48	5,43	1,68	5,36	1,87	5,30	2,07	4,85	2,33	4,40	2,59
	2	5,60	1,40	5,46	1,49	5,38	1,64	5,30	1,80	5,01	2,02	4,73	2,23
	7	6,65	1,11	6,41	1,30	6,25	1,48	6,08	1,65	5,91	1,84	5,73	2,03
	12	6,32	0,86	6,07	1,01	5,76	1,15	5,46	1,29	5,23	1,48	4,99	1,67
	15	6,04	0,73	5,72	0,86	5,40	1,00	5,08	1,13	4,62	1,28	4,17	1,42
20	5,49	0,50	5,15	0,63	4,80	0,75	4,45	0,87	3,62	0,94	2,80	1,01	

Maximum heating capacity - peak values													
	LWC [°C]	30		35		40		45		50		55	
		T <sub>amb</sub> [°C]	HC [kW]	PI [kW]	HC [kW]	PI [kW]	HC [kW]	PI [kW]	HC [kW]	PI [kW]	HC [kW]	PI [kW]	HC [kW]
*RGA08*	-20	6,87	3,40	6,75	3,60	6,62	3,81	6,50	4,01	6,37	4,22		
	-15	7,52	3,11	7,36	3,35	7,20	3,60	7,04	3,85	6,78	4,11		
	-7	8,55	2,64	8,33	2,95	8,12	3,27	7,90	3,58	7,44	3,94	6,98	4,30
	-2	9,06	2,31	8,82	2,62	8,58	2,93	8,34	3,25	7,99	3,58	7,64	3,91
	2	9,46	2,05	9,20	2,36	8,94	2,67	8,69	2,98	8,43	3,28	8,17	3,59
	7	9,63	1,84	9,37	2,08	9,12	2,31	8,86	2,55	8,74	3,00	8,61	3,45
	12	9,52	1,49	9,21	1,71	8,91	1,93	8,60	2,14	8,42	2,42	8,25	2,71
	15	9,22	1,30	8,82	1,50	8,42	1,70	8,02	1,90	7,79	2,16	7,55	2,42
20	8,71	0,97	8,16	1,14	7,60	1,32	7,04	1,49	6,72	1,71	6,40	1,93	
*RGA06*	-20	5,93	2,80	5,83	2,94	5,72	3,07	5,62	3,21	5,40	3,44		
	-15	6,54	2,54	6,37	2,73	6,20	2,91	6,03	3,10	5,68	3,39		
	-7	7,50	2,12	7,23	2,39	6,96	2,66	6,69	2,92	6,12	3,31	5,55	3,69
	-2	7,64	1,88	7,40	2,12	7,17	2,36	6,93	2,60	6,49	2,91	6,06	3,21
	2	7,75	1,70	7,54	1,91	7,33	2,13	7,12	2,35	6,79	2,59	6,46	2,83
	7	7,92	1,45	7,74	1,63	7,57	1,82	7,40	2,01	7,22	2,26	7,03	2,51
	12	7,75	1,08	7,49	1,28	7,24	1,48	6,99	1,68	6,76	1,92	6,54	2,16
	15	7,58	0,96	7,23	1,13	6,88	1,31	6,54	1,48	6,17	1,70	5,81	1,92
20	7,29	0,77	6,79	0,89	6,29	1,02	5,78	1,14	5,19	1,33	4,60	1,51	
*RGA04*	-20	4,71	2,50	4,67	2,50	4,64	2,50	4,61	2,62	4,23	2,86		
	-15	5,19	2,20	5,11	2,32	5,03	2,45	4,95	2,57	4,53	2,86		
	-7	5,95	1,82	5,80	2,04	5,65	2,26	5,50	2,48	4,98	2,86	4,45	3,23
	-2	6,29	1,59	6,13	1,78	5,96	1,98	5,79	2,18	5,37	2,47	4,94	2,75
	2	6,57	1,40	6,39	1,58	6,21	1,76	6,03	1,94	5,68	2,15	5,33	2,37
	7	6,65	1,11	6,41	1,30	6,25	1,48	6,08	1,65	5,91	1,84	5,73	2,03
	12	6,32	0,86	6,07	1,01	5,76	1,15	5,46	1,29	5,23	1,48	4,99	1,67
	15	6,04	0,73	5,72	0,86	5,40	1,00	5,08	1,13	4,62	1,28	4,17	1,42
20	5,49	0,50	5,15	0,63	4,80	0,75	4,45	0,87	3,62	0,94	2,80	1,01	

**Symbols**

- CC Cooling capacity at maximum operating frequency, measured according to EN 14511.
- HC Heating capacity at maximum operating frequency, measured according to EN 14511
- PI Power input is the total input of indoor and outdoor units, including the circulation pump; according to EN 14511.
- LWE Leaving water evaporator temperature [°C]
- LWC Leaving water condensor temperature [°C]
- Tamb Ambient temperature; RH (heating) = 85%

**Conditions**

Cooling capacity

Capacity according to standard EN 14511 and valid for chilled water range ΔT = 3~8°C.  
Capacity values may not be extrapolated below 7°C leaving water temperature.

Heating capacity

Capacity according to standard EN 14511 and valid for heated water range ΔT = 3~8°C.

Power input

Power input is the total input of indoor and outdoor units, including the circulation pump; according to EN 14511.

**Notes**

The capacity and the power input are valid for V3 models at 230 V.  
The capacity and the power input are at maximum operation.

3D112789D

# 5 Dimensional drawings

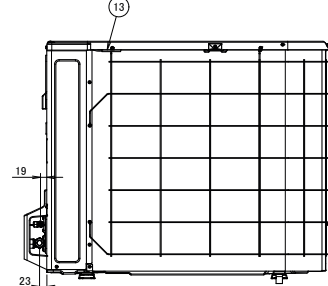
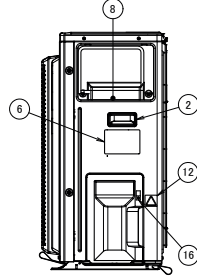
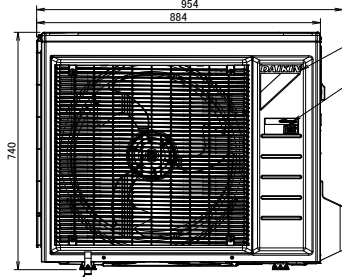
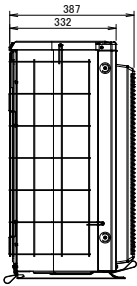
## 5 - 1 Dimensional Drawings

### ERGA04-08DV3

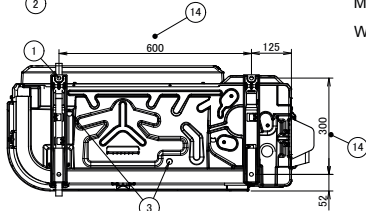
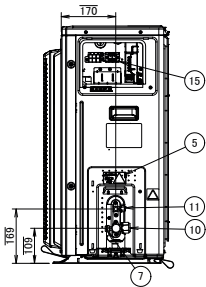
- ① 4 holes for anchor bolts  
OR
- ② Handle
- ③ Drain outlet
- ④ Nameplate
- ⑤ Caution label
- ⑥ Manufacturer label
- ⑦ Service port

- ⑧ Wiring intake area
- ⑨ Brand name label
- ⑩ Gas stop valve
- ⑪ Liquid stop valve
- ⑫ Product liability label
- ⑬ Outdoor air temperature thermistor
- ⑭ Pitch of foundation bolt holes
- ⑮ Terminal strip with earth terminal

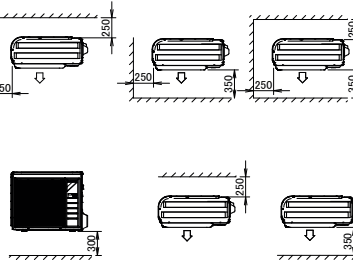
- ⑯ Wire clamp



In case of removing the stop valve cover.



Minimum space for air passage  
Wall height on air outlet side < 1200 mm



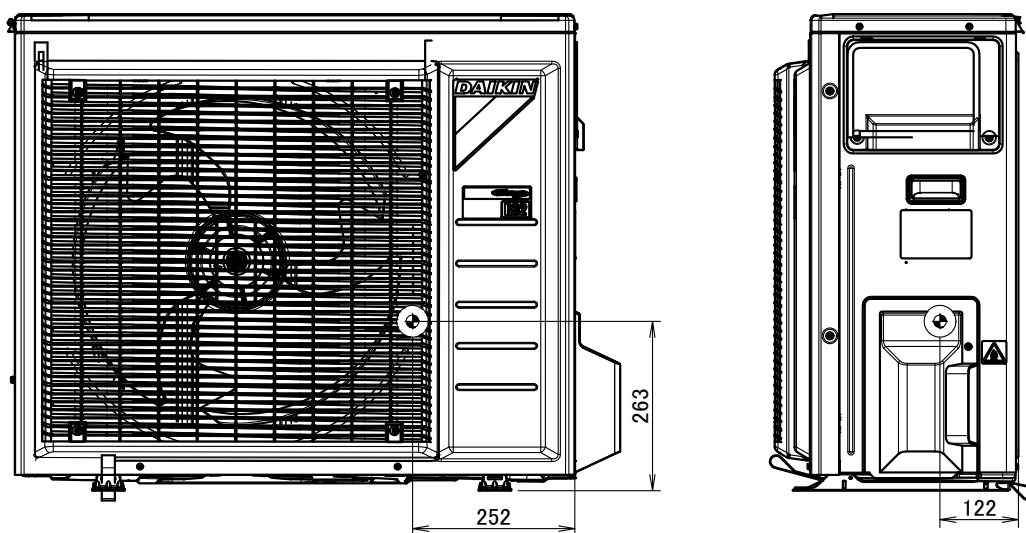
3D110277

## 6 Centre of gravity

### 6 - 1 Centre of Gravity

#### ERGA04-08DV3

6

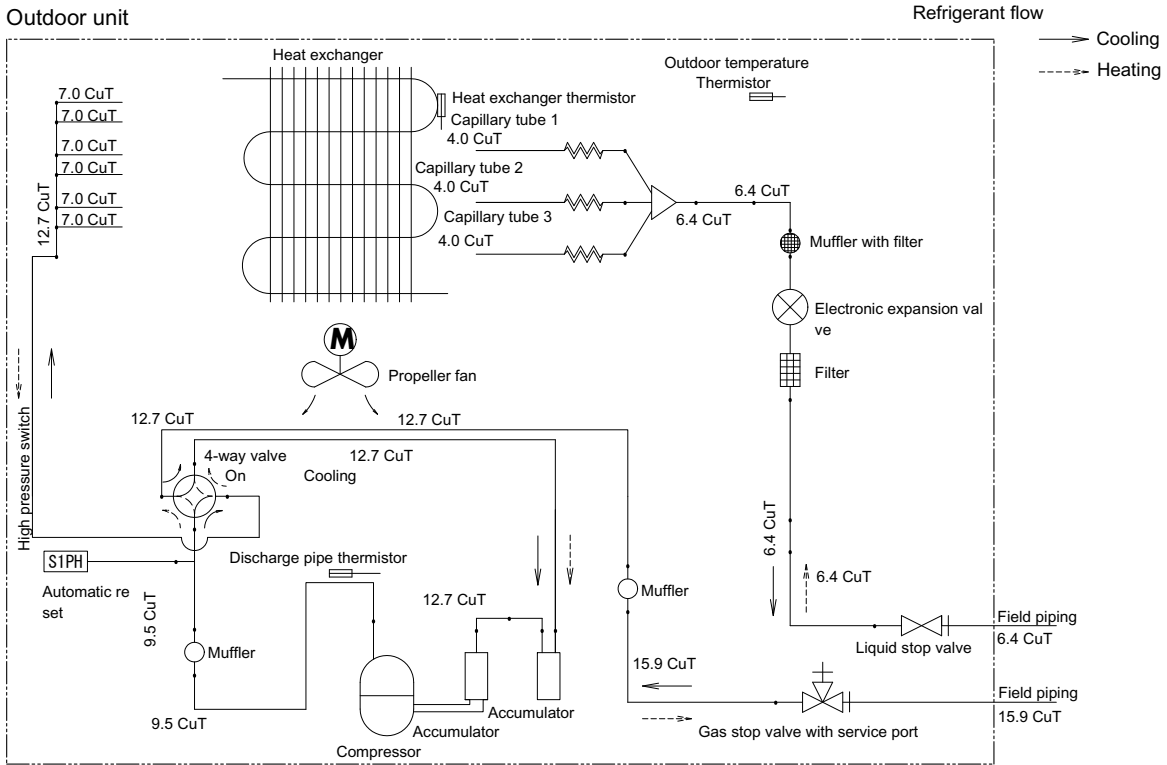


4D111415

# 7 Piping diagrams

## 7 - 1 Piping Diagrams

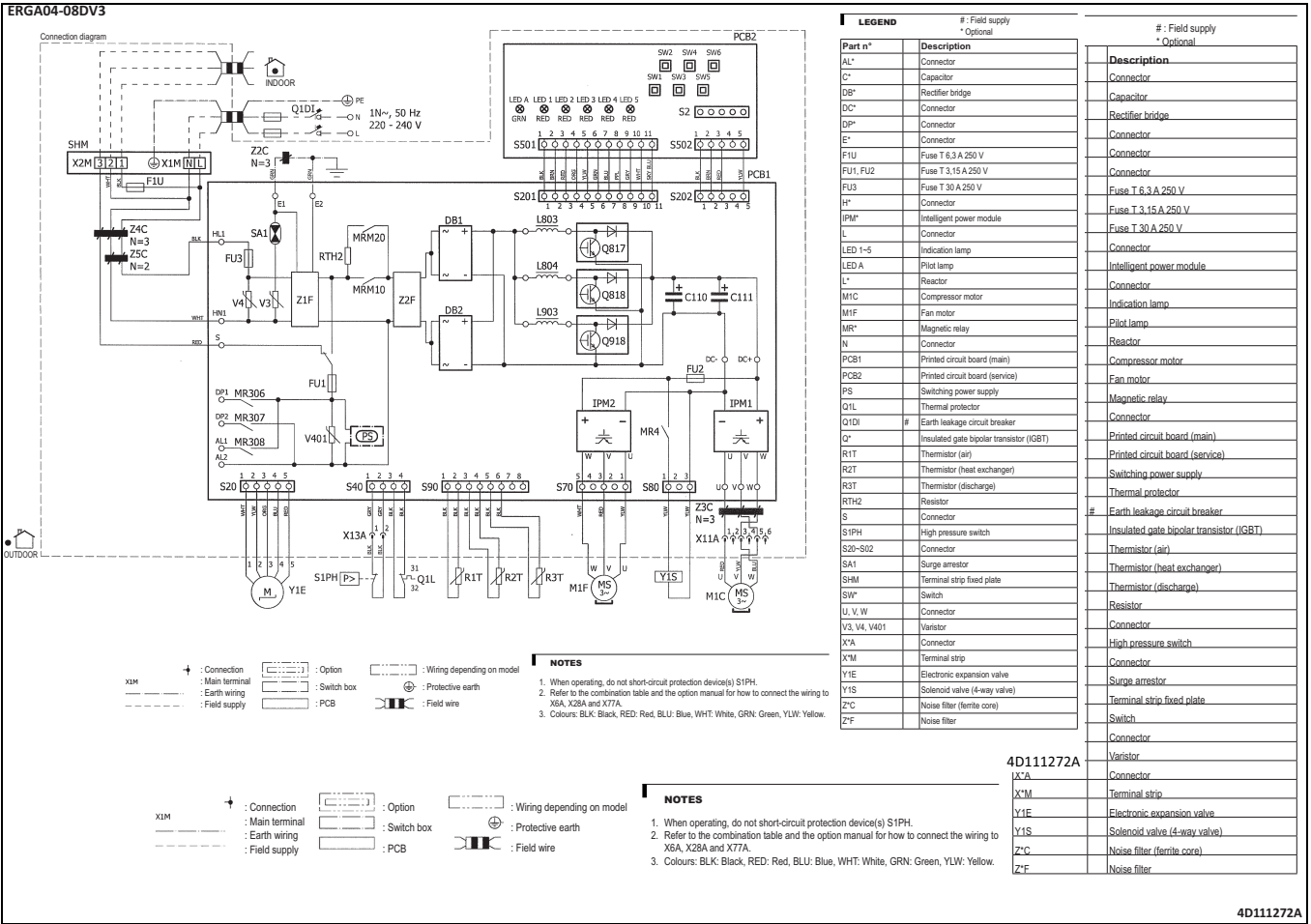
ERGA04-08DV3



3D110394

# 8 Wiring diagrams

## 8 - 1 Wiring Diagrams - Single Phase

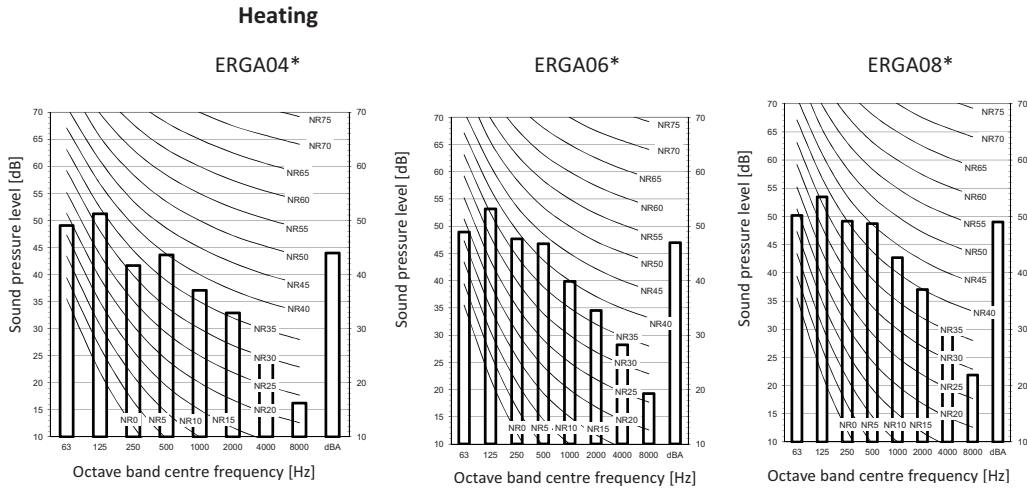




# 9 Sound data

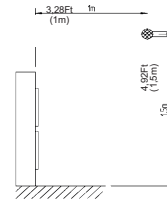
## 9 - 1 Sound Pressure Spectrum - Heating

ERGA04-08DV3



**Notes**

1. Data is valid at free field condition.  
Measured in a semi-anechoic chamber
2. Data is valid at nominal operation condition.
3. dBA = A-weighted sound pressure level (A scale according to IEC).
4. Reference acoustic pressure 0 dB = 20 μPa
5. If the sound is measured under actual installation conditions, the measured value will be higher due to environmental noise and sound reflections.



Measuring location (discharge side)

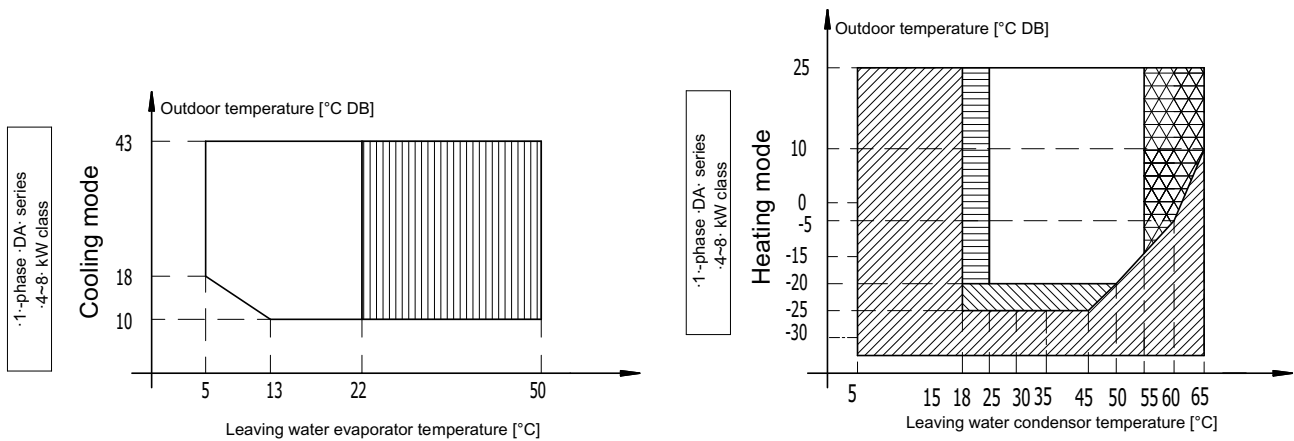
3D111594

# 10 Operation range

## 10 - 1 Operation Range

10

ERGA04-08DV3



**Legend**

- Backup heater only operation  
No outdoor unit operation
- Outdoor unit operation if setpoint  $\geq 25^{\circ}\text{C}$
- Operation of outdoor unit possible, but with possible capacity reduction.  
If the outdoor temperature  $< -25^{\circ}\text{C}$ , the outdoor unit will stop.  
Indoor unit and backup heater operation will continue.
- Pull-down area
- Outdoor unit operation if setpoint  $> 55^{\circ}\text{C}$  and  $\Delta T = 10^{\circ}\text{C}$  ( $\Delta T$  = outlet temperature - inlet temperature)

**Remark**

In restricted power supply mode, the outdoor unit, booster heater and backup heater can only operate separately.

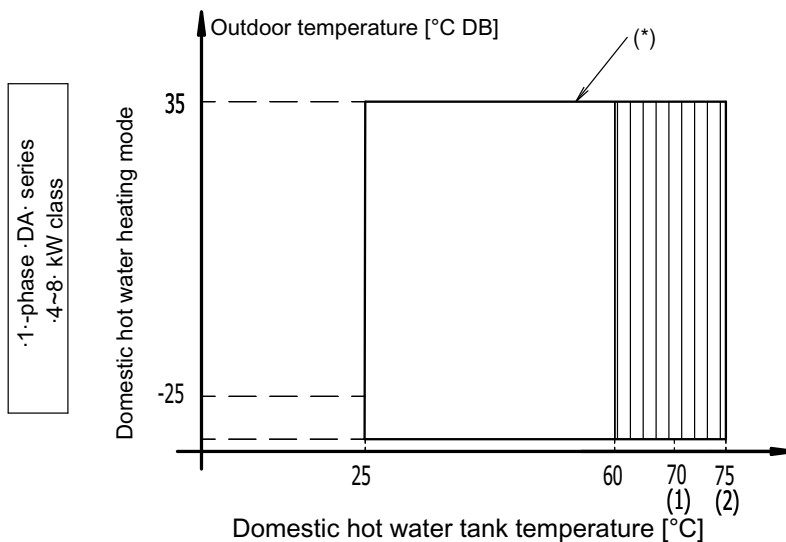
**Warning**

In areas with low ambient temperatures and high humidity, or in areas with heavy snowfall, remove the suction grille to ensure proper operation.

Non-exhaustive list of areas: Austria, Czech Republic, Denmark, Estonia, Finland, Germany, Hungary, Latvia, Lithuania, Norway, Poland, Romania, Serbia, Slovakia, Sweden, ...

3D111563A

ERGA04-08DV3



**Legend**

- Booster heater only operation (if a booster heater is part of the system)
  - (1) EHV\*DAV\* indoor units only
  - (2) Combination of EKHWS\*DA\* and EHB\*DAV\* indoor units
- (\*) System operation: the system consists of an outdoor unit and indoor unit, and depending on the system, a booster heater and/or a backup heater.

**Remark**

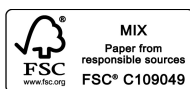
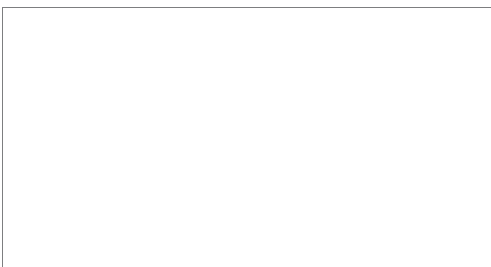
In restricted power supply mode (EKHW\* only), the outdoor unit, booster heater and backup heater can only operate separately.  
If the outdoor temperature  $< -20^{\circ}\text{C}$ , then outdoor unit operation is possible, but with a possible capacity reduction.  
If the outdoor temperature  $< -25^{\circ}\text{C}$ , the outdoor unit will stop.  
Indoor unit and backup heater operation will continue.

3D111564B





Daikin Europe N.V. Naamloze Vennootschap - Zandvoordestraat 300, B-8400 Oostende - Belgium - [www.daikin.eu](http://www.daikin.eu) - BE 0412 120 336 - RPR Oostende



EEDEN18 10/17



The present leaflet is drawn up by way of information only and does not constitute an offer binding upon Daikin Europe N.V.. Daikin Europe N.V. has compiled the content of this leaflet to the best of its knowledge. No express or implied warranty is given for the completeness, accuracy, reliability or fitness for particular purpose of its content and the products and services presented therein. Specifications are subject to change without prior notice. Daikin Europe N.V. explicitly rejects any liability for any direct or indirect damage, in the broadest sense, arising from or related to the use and/or interpretation of this leaflet. All content is copyrighted by Daikin Europe N.V.